

(Shown Actual Size)

Polyurethane Tubing



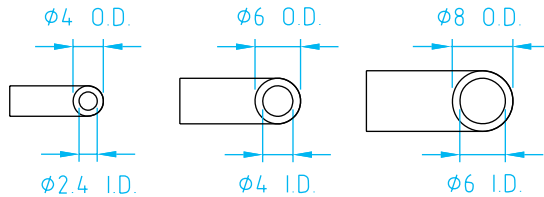
**Polyurethane Tubing
for use with Push-In Fittings**

Polyurethane Tube for Push-In Fittings - Sold in 25' Coils

Quick#	Part#	øOD	øID	Color	Min. Radius	Price
957	GSU-PC-0424	4	2.4	Clear	10mm	\$5.68
958	GSU-PC-0604	6	4	Clear	13mm	\$9.38
959	GSU-PC-0806	8	6	Clear	19mm	\$16.37
960	GSU-PB-0424	4	2.4	Blue	10mm	\$5.68
961	GSU-PB-0604	6	4	Blue	13mm	\$9.38
962	GSU-PB-0806	8	6	Blue	19mm	\$16.37
966	GSU-PR-0424	4	2.4	Red	10mm	\$5.68
967	GSU-PR-0604	6	4	Red	13mm	\$9.38
968	GSU-PR-0806	8	6	Red	19mm	\$16.37

Suggestion

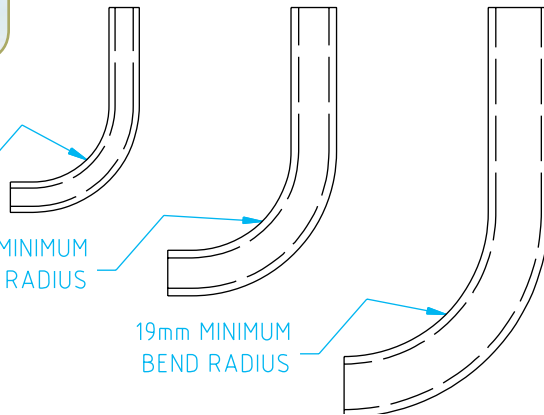
To help reduce the likelihood of mis-connecting vacuum lines with compressed air lines, consider standardizing your tubing color scheme. Use clear tubing for vacuum circuits. Use blue tubing for compressed-air circuits when approaching the part—such as gripper close or cylinder extend. Use red tubing for compressed-air circuits when retracting from the part—such as gripper open or cylinder retract.



10mm MINIMUM BEND RADIUS

13mm MINIMUM BEND RADIUS

19mm MINIMUM BEND RADIUS



Compatibility Guide

Polyurethane Tubing Compatibility

Application		Recommended Tubing Choice		
Fitting	Input	Hard Tubing	Soft Tubing	Super Flex Tubing
Barbed Push-In	Compressed Air	Good	No	No
		Good	No	No
Barbed Push-In	Vacuum	No	Good	Good
		Good	No	No

Polyurethane Tubing Dimensions with Barbed Fittings

Barb Stem øOD	PU Tube øOD	PU Tube øID
2.7	4	2.4
2.9	4	2.4
3.0	4	2.4
3.8	6	4
3.9	6	4
4.0	6	4
4.2	6	4
6.4	8	6