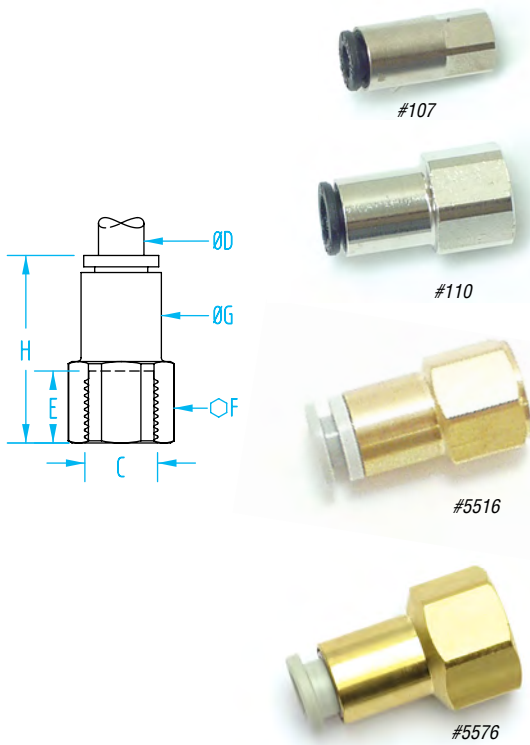


Push-In Fittings

(Shown Actual Size)

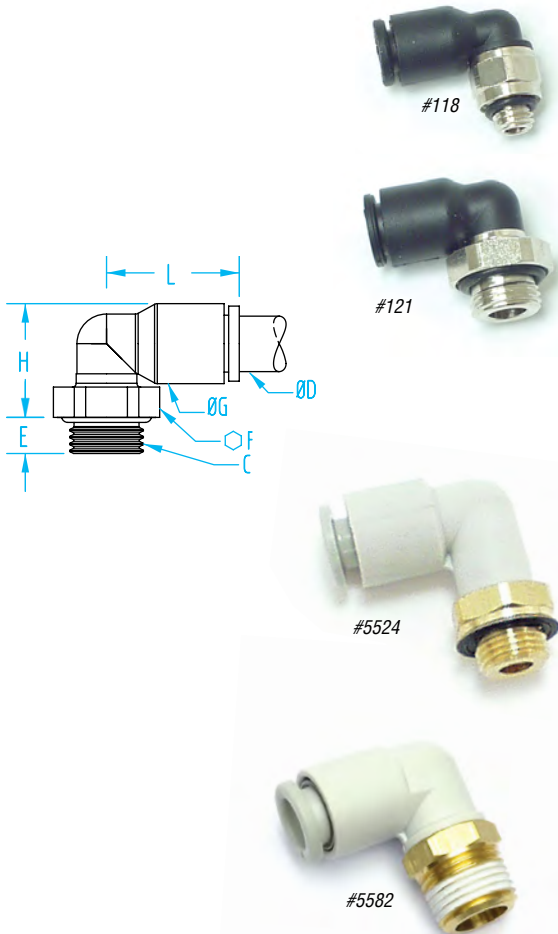


Female Threaded Push-In Fitting

Best	Quick#	Part#	C	øD	Price	E	F	G	H	Wt.
	107	GSF-QFC-M504	M5	4	\$7.25	6.5	8	8.7	19.5	5g
	108	GSF-QFC-M506	M5	6	\$3.23	3.5	8	9.9	14	3g
	109	GSF-QFC-G804	G1/8"	4	\$7.15	9.5	13	8.6	22.5	10g
	110	GSF-QFC-G806	G1/8"	6	\$4.20	9.5	13	10.6	24.5	11g
	111	GSF-QFC-G808	G1/8"	8	\$5.35	9.5	13	13.5	29	20g
	1450	GSF-QFC-G406	G1/4"	6	\$7.00	13.5	16	10.6	28.5	16g
	1451	GSF-QFC-G408	G1/4"	8	\$7.60	13.5	16	13.5	33	27g

Better	Quick#	Part#	C	øD	Price	E	F	G	H	Wt.
	5515	GSF-SFC-G804	G1/8"	4	\$2.76	7.5	14	7.9	24.7	12.4g
	5516	GSF-SFC-G806	G1/8"	6	\$2.76	7.5	14	9.9	24.3	12.6g
	5517	GSF-SFC-G406	G1/4"	6	\$3.16	12	17	9.9	29.6	21.4g
	5518	GSF-SFC-G808	G1/8"	8	\$2.84	7.5	14	12.4	24.7	15.1g
	5519	GSF-SFC-G408	G1/4"	8	\$3.23	12	17	12.4	30.1	24g
	5520	GSF-SFC-G410	G1/4"	10	\$3.38	12	17	14.8	31.1	24.1g

Good	Quick#	Part#	C	øD	Price	E	F	G	H	Wt.
	5575	GSF-RFC-R804	R1/8"	4	\$2.76	8.5	14	7.9	24.1	12g
	5576	GSF-RFC-R806	R1/8"	6	\$2.76	8.5	14	9.9	23.6	12.2g
	5577	GSF-RFC-R406	R1/4"	6	\$3.16	12	17	9.9	28.5	21.6g
	5578	GSF-RFC-R808	R1/8"	8	\$2.84	8.5	14	12.4	24.1	12.9g
	5579	GSF-RFC-R408	R1/4"	8	\$3.23	12	17	12.4	29	22.1g
	5580	GSF-RFC-R410	R1/4"	10	\$3.37	12	17	14.8	30	24.2g



Male Threaded Push-In Elbow Fitting

Best	Quick#	Part#	C	øD	Price	E	F	G	H	L	Wt.
	117	GSF-QME-M304	M3	4	\$4.90	2.5	8	8.5	15	14.5	3g
	118	GSF-QME-M504	M5	4	\$3.30	3.5	8	8.5	13.5	14	3g
	119	GSF-QME-G804	G1/8"	4	\$3.50	5	13	8.5	13	14	7g
	120	GSF-QME-M506	M5	6	\$3.50	3.5	8	10.5	15.5	16	3g
	121	GSF-QME-G806	G1/8"	6	\$3.75	5	13	10.5	15	16	8g
	122	GSF-QME-G808	G1/8"	8	\$7.80	4.5	13	13.5	20.5	23	14g
	1452	GSF-QME-G406	G1/4"	6	\$5.10	5.5	16	10.5	15	16	13g
	1453	GSF-QME-G408	G1/4"	8	\$5.55	5.5	16	13.5	18.5	23	17g
	5608	GSF-QME-G410	G1/4"	10	\$14.20	5.5	16	16	23.5	26.5	30g
	2004	GSF-QME-R804	R1/8"	4	\$4.50	-	10	8.5	13.5	14	6g
	2005	GSF-QME-R806	R1/8"	6	\$3.35	-	10	10.5	15.5	16	6g

Better	Quick#	Part#	C	øD	Price	E	F	G	H	L	Wt.
	5521	GSF-SME-M504	M5	4	\$1.94	3.5	7	8.2	15.9	15.4	3.1g
	5522	GSF-SME-G804	G1/8"	4	\$1.45	5.5	12	8.2	15.4	14.8	6.3g
	5523	GSF-SME-M506	M5	6	\$2.36	3.5	7	10.4	18.7	14.5	3.2g
	5524	GSF-SME-G806	G1/8"	6	\$1.55	5.5	12	10.4	17.6	15.5	6.7g
	5525	GSF-SME-G406	G1/4"	6	\$1.74	6.5	17	10.4	20.1	15.5	17.2g
	5526	GSF-SME-G808	G1/8"	8	\$2.32	5.5	12	13.2	20.4	16.4	7.6g
	5527	GSF-SME-G408	G1/4"	8	\$2.46	6.5	17	13.2	22.9	17.2	15.9g
	5528	GSF-SME-G810	G1/8"	10	\$3.06	5.5	12	15.9	24.9	18.6	10.3g
	5529	GSF-SME-G410	G1/4"	10	\$2.63	6.5	17	15.9	26	19.3	17.5g

Good	Quick#	Part#	C	øD	Price	E	F	G	H	L	Wt.
	5581	GSF-RME-R804	R1/8"	4	\$2.85	6.5	10	8.2	20.3	14.8	4.8g
	5582	GSF-RME-R806	R1/8"	6	\$1.83	6.5	10	10.4	22.5	15.5	5.2g
	5583	GSF-RME-R406	R1/4"	6	\$2.02	10	14	10.4	28	15.5	14.7g
	5584	GSF-RME-R808	R1/8"	8	\$2.60	6.5	10	13.2	25.3	16.4	6.1g
	5585	GSF-RME-R408	R1/4"	8	\$2.74	10	14	13.2	32	17.2	17.7g
	5586	GSF-RME-R810	R1/8"	10	\$3.35	6.5	12	15.9	31.6	18.6	11.1g
	5587	GSF-RME-R410	R1/4"	10	\$2.91	10	17	15.9	36.7	19.3	21.7g