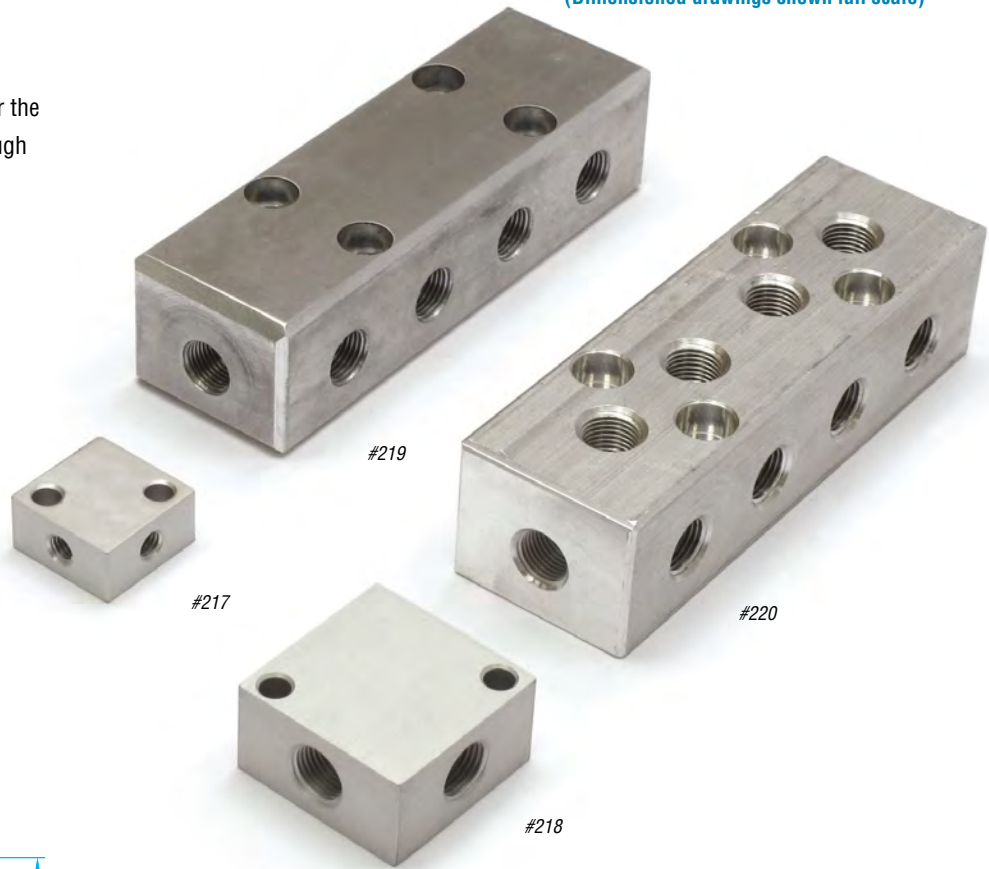


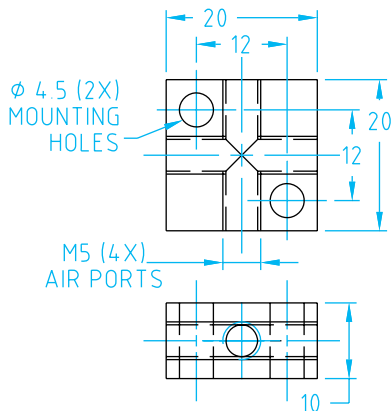
Manifold Blocks

(Dimensioned drawings shown full scale)

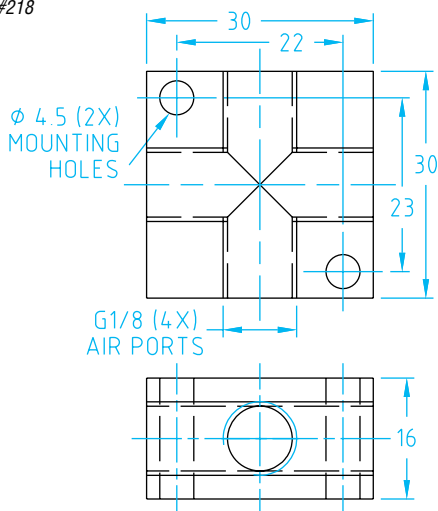
Compact female cross manifolds for the distribution of compressed air through one circuit.



#217



#218



Manifolds

Quick#	Part#	Ports	Qty. Ports	Wt.	Price
217	GSF-MAN-M5X4	M5	4	9g	\$12.67
218	GSF-MAN-G8X4	G1/8"	4	29g	\$8.15
219	GSF-MAN-G8x08	G1/8"	10	170g	\$27.00
220	GSF-MAN-G8x12	G1/8"	14	163g	\$29.00

Fasteners are available on page 1070.

#220

