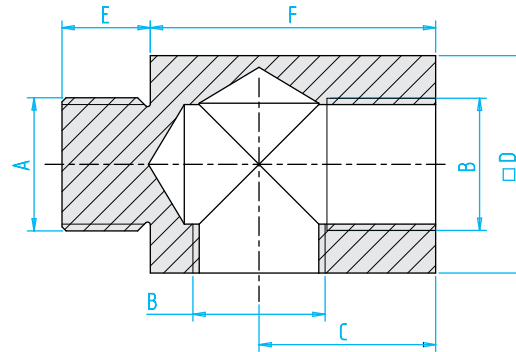


Mounting Adaptors

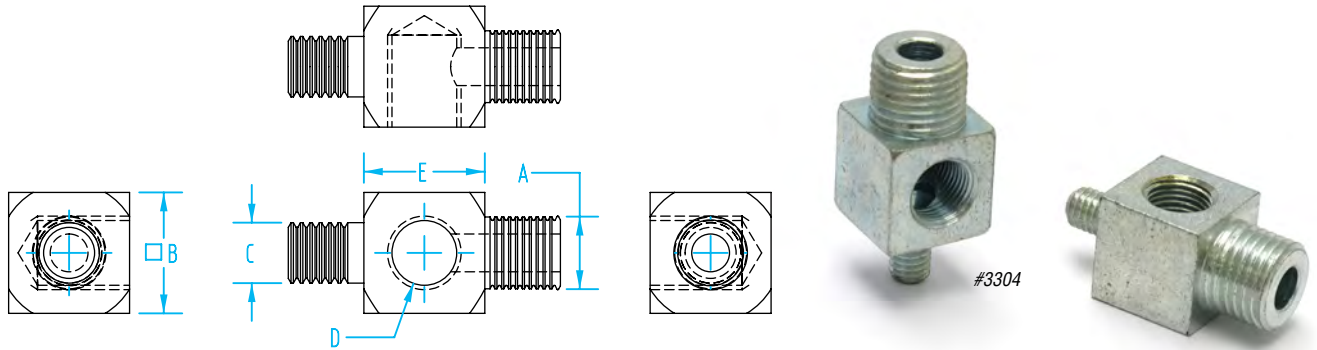
(Shown Actual Size)



Mounting Adaptor

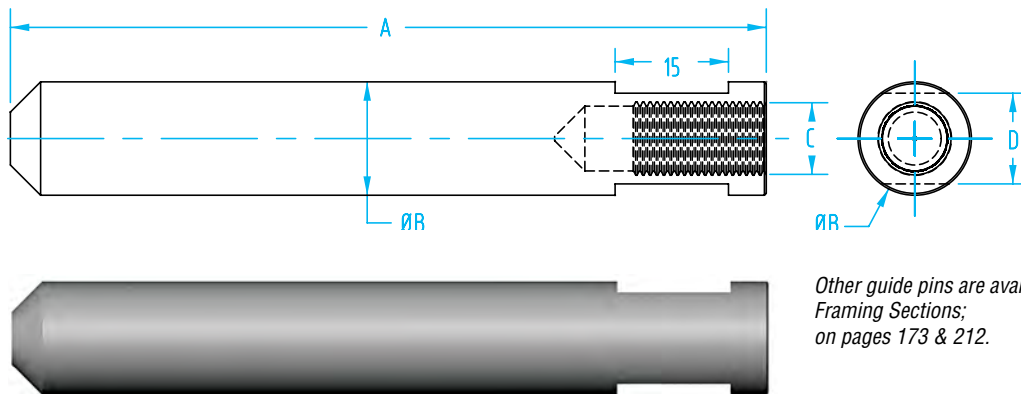
NEW

Quick#	Part#	Price	A	B	C	D	E	F	Wt.
7390	MFI-A365	\$5.90	M3	M5	8	8	4	12	1.6g
7389	MFI-A364	\$5.90	M4	M5	8	8	5	12	1.8g
7387	MFI-A361	\$5.90	M5	M5	8	8	5	14	2.2g
7388	MFI-A362	\$11.34	G1/8"	G1/8"	13	16	6.5	21	11.6g



Male Adaptor

Quick#	Part#	>ASS< #	Price	A	B	C	D	E	Wt.
3302	AVA1/8a-16-6	1-290-81-00	\$10.00	G1/8"	16	M6	G1/8"	16	29g
3303	AVA1/8a-16-8	1-290-83-00	\$10.00	G1/8"	16	M8	G1/8"	16	29g
3304	AVA1/4a-16-6	1-290-85-00	\$10.00	G1/4"	16	M6	G1/8"	16	32g
3305	AVA1/4a-16-8	1-290-87-00	\$10.00	G1/4"	16	M8	G1/8"	16	32g



Other guide pins are available in the Framing Sections; on pages 173 & 212.

Delrin Guide Pins

Quick #	Part #	Price	A	ØB	C	D	Wt.
5213	CP-100-G8	\$15.85	100mm	15	G1/8"	12	21g
5214	CP-100-M16	\$19.35	100mm	25	M16x1	22	32g