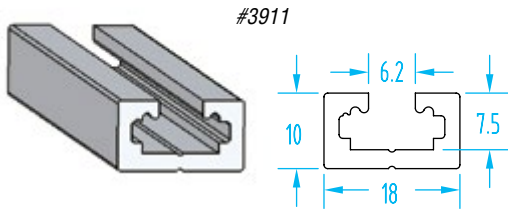
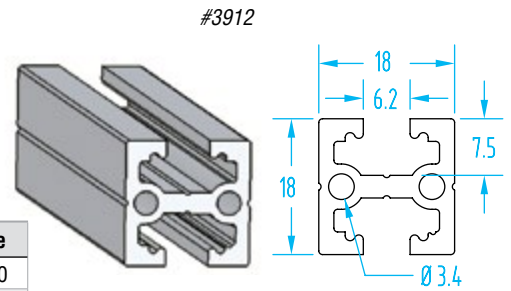


**Profile Accessories**

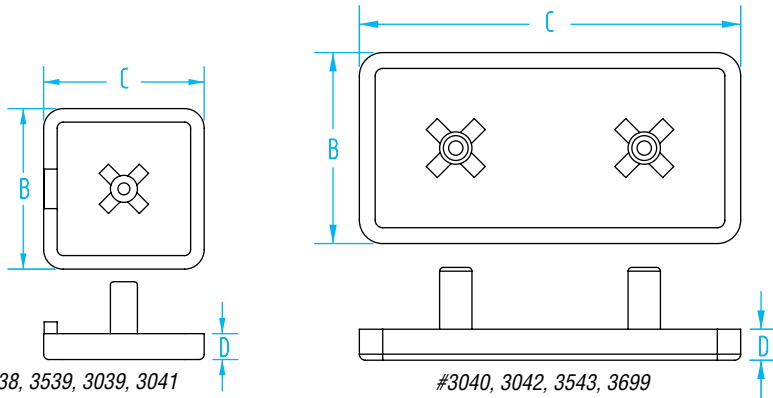


**L Profile**



**L (Light) Aluminum Profile**

Quick#	Part#	>ASS< #	Slots	Profile Type	Size	Length	Wt.	Price
3911	L-18/10-1M	1-051-21-00	1	L	18x10mm	1 meter	247g	\$6.00
3912	L-18/18-1M	1-051-46-00	2		18x18mm	1 meter	852g	\$9.50



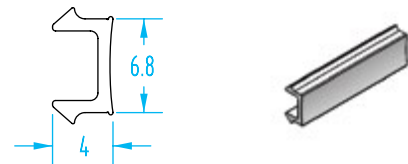
**Profile End Cap**

Quick#	Part#	>ASS< #	Price	B	C	D	Wt.	Use with:
3543	ADK-L-18-10	1-190-20-00	\$1.00	18	10	4	1g	L 18/10
3699	ADK-L-18-18	1-190-22-00	\$1.00	18	18	4	1g	L 18/18
3538	ADK-X-25-10	1-190-23-00	\$1.00	25	10	4	1g	X 25/10
3539	ADK-X-25-18	1-190-24-00	\$1.00	25	18	4	1g	X 25/18
3039	ADK25/25X	1-190-25-00	\$1.00	25	25	4	2g	X 25/25
3040	ADK50/25X	1-190-30-00	\$1.50	25	50	4	3g	X 50/25
3041	ADK40/40J	1-190-37-00	\$2.00	40	40	4	4g	J 40/40
3042	ADK80/40J	1-190-42-00	\$2.50	40	80	4	8g	J 80/40

**Plastic Profile Channel Cover**

Quick#	Part#	>ASS< #	Price	Length	Use with:
3698	ADP-1000	1-090-11-00	\$6.00	1 meter	L, X, J

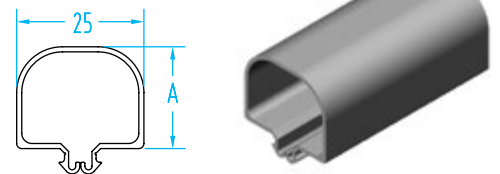
ADP channel covers snap into the profile channel and close the profile channel.



**Plastic Tube & Wire Channel**

Quick#	Part#	>ASS< #	Price	A	Length	Use with:
3652	KKP-25-20	1-090-13-00	\$5.50	20	1 meter	L, X, J
3653	KKP-25-35	1-090-16-00	\$7.50	35	1 meter	L, X, J

KKP channel covers snap into the profile channel to route tubing and wires.



**PA Twist-On Channel Saddle**

Quick#	Part#	>ASS< #	Price	Wt.	Use with:
3583	KKB-X-JU	1-790-41-00	\$1.50	4g	X, J

KKB twist on zip-tie saddle used to achieve clean and professional looking end-of-arm tools.

