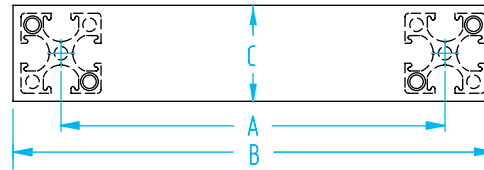
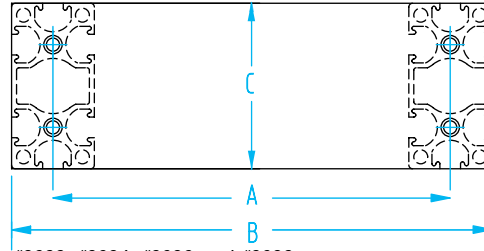


## Profile End Plate



#3687, #3033, #3035, and #3037



#3688, #3034, #3036, and #3038.

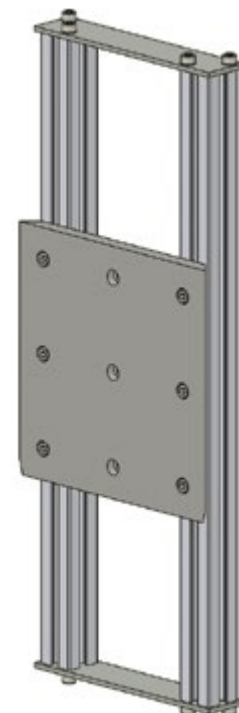
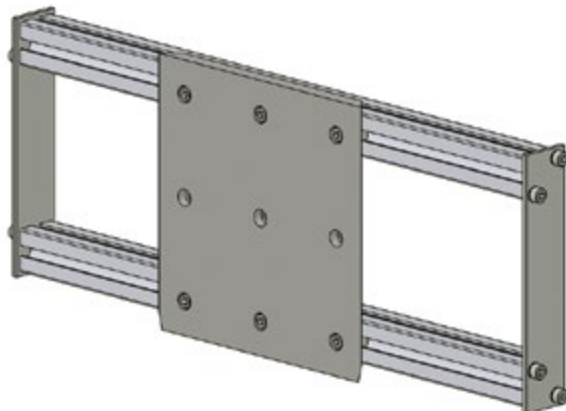
#3033, #3034, #3035, and #3036 are 3mm thick.  
#3037 & #3038 are 5mm thick.

### Profile End Plate

| Quick# | Part#       | >ASS< #     | Price   | A   | B   | C  | Wt.  | Use with: | Fits base plate size |
|--------|-------------|-------------|---------|-----|-----|----|------|-----------|----------------------|
| 3687   | EPL1-25X    | 1-122-81-00 | \$6.00  | 70  | 100 | 30 | 34g  | X 25/25   | 1X                   |
| 3688   | EPL1-50-25X | 1-122-83-00 | \$6.00  | 70  | 95  | 50 | 57g  | X 50/25   | 1X                   |
| 3033   | EPL2-25X    | 1-122-85-00 | \$9.00  | 120 | 150 | 30 | 34g  | X 25/25   | 2X                   |
| 3034   | EPL2-50X    | 1-122-87-00 | \$9.00  | 120 | 145 | 50 | 57g  | X 50/25   | 2X                   |
| 3035   | EPL3-25X    | 1-122-89-00 | \$7.00  | 200 | 230 | 30 | 57g  | X 25/25   | 3X                   |
| 3036   | EPL3-50X    | 1-122-91-00 | \$9.00  | 200 | 225 | 50 | 88g  | X 50/25   | 3X                   |
| 3037   | EPL3-40J    | 1-122-94-00 | \$9.50  | 200 | 245 | 45 | 126g | J 40/40   | 3J                   |
| 3038   | EPL3-80J    | 1-122-96-00 | \$12.00 | 200 | 240 | 80 | 251g | J 80/40   | 3J                   |

Use with profile size

### Application Examples



#### Save on Custom Plates !

Custom mounting plates, interfaces, and brackets for building EOAT are available from EMI. Fast and low cost. EMI's in-house laser cutter precision cuts aluminum and stainless up to 0.250" thick.