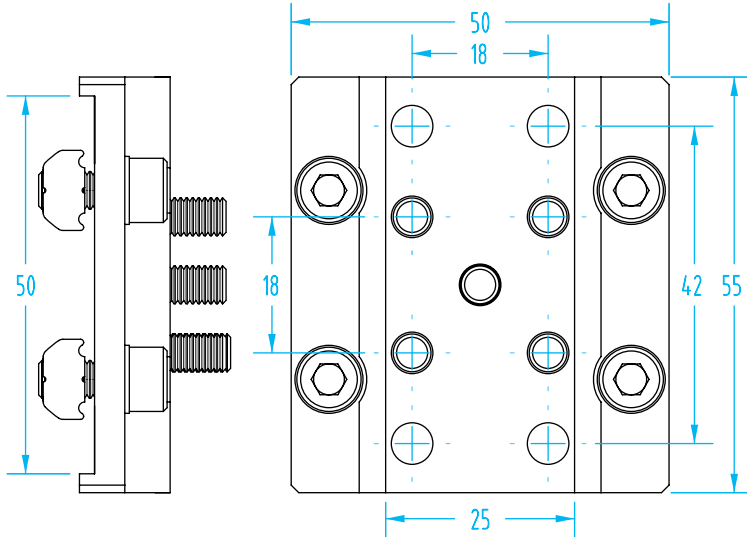


**Profile End Joint Connector**

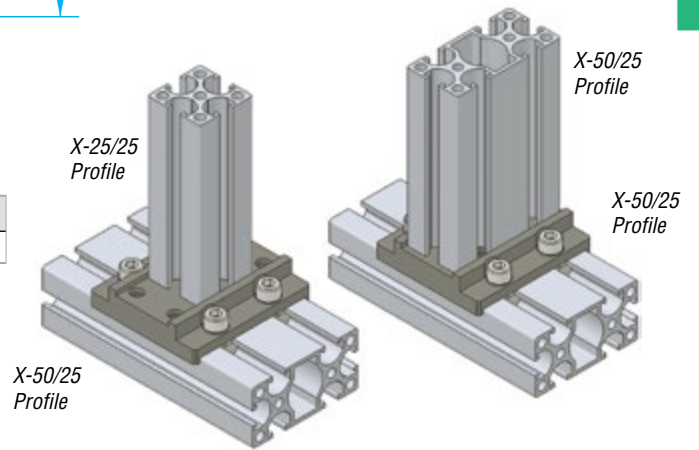
(Dimensioned drawings shown full scale)



**90° Profile End Joint Connector**

Quick#	Part#	>ASS< #	Price	Wt.
3488	SVB50/25X	1-122-15-00	\$29.00	100g

Use Quick#s for easy online ordering.



**90° Profile End Joint Connector**

Quick#	Part#	>ASS< #	Price	Wt.
3489	SVB50/25-50/25X	1-122-20-00	\$30.50	134g

