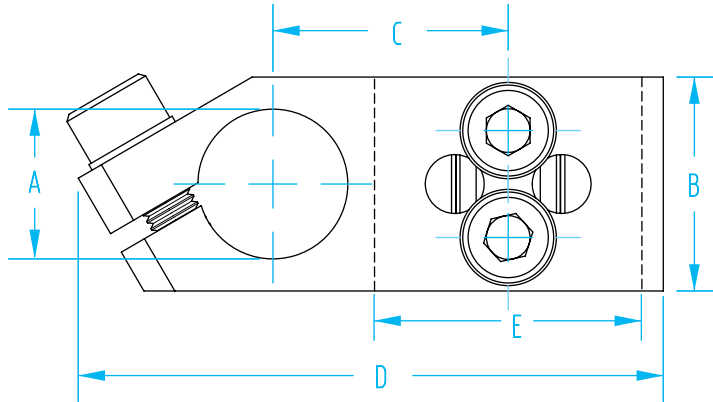


Angle Clamp



Angle Clamp

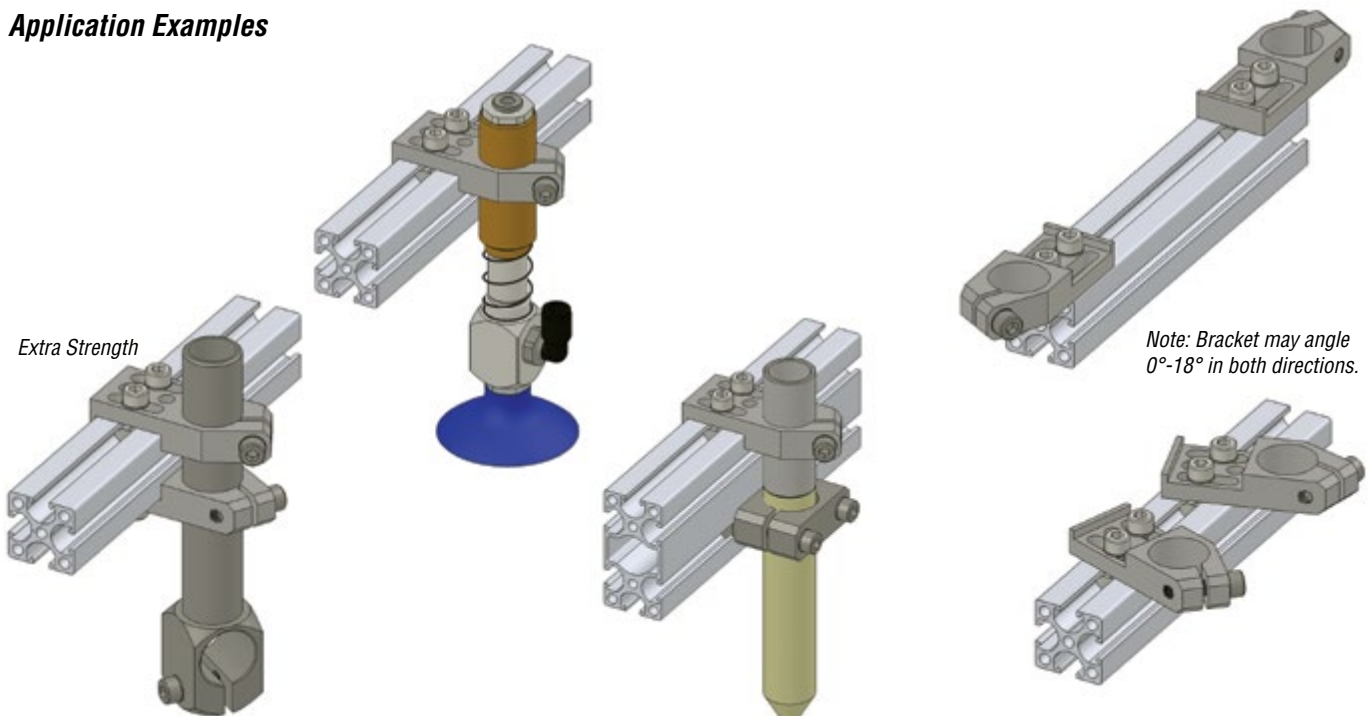
Quick#	Part#	>ASS< #	Price	A	B	C	D	E	T	Wt.
3100	WST10L	1-103-00-00	\$12.00	10	16	16	41	18	4	17g
3511	WST14L	1-103-03-00	\$12.50	14	20	18	55	18	6	26g
3101	WST10X	1-103-06-00	\$14.00	10	16	19.5	48	25	4	19g
3102	WST14X	1-103-09-00	\$15.00	14	20	21.5	55	25	6	33g
3103	WST20X	1-103-12-00	\$15.50	20	25	17.5-32.5	63	25	6	40g
3104	WST30X	1-103-15-00	\$18.50	30	35	22.5-37.5	74	25	10	80g
3105	WST20J	1-103-18-00	\$18.50	20	25	32	77	40	7.5	58g
3106	WST30J	1-103-21-00	\$20.50	30	40	27-47	91	40	10	117g

Use with profile size

T= thickness

Application Examples

Extra Strength



Note: Bracket may angle 0°-18° in both directions.