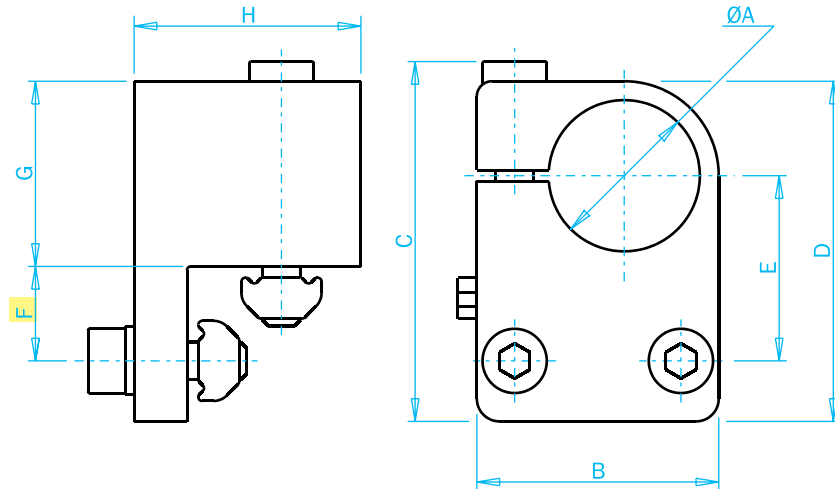


Heavy-Duty Cross Clamp



#5689



Heavy-Duty Cross Clamp

Quick#	Part#	Price	ØA	B	C	D	E	F	G	H	Profile	Wt.
5688	MFI-A09	\$28.48	14	25	42.6	40	22	12.5	19.5	25	2525 / 5025	50g
5689	MFI-A10	\$29.90	20	32	47.6	45	24.5	12.5	24.5	30	2525 / 5025	70g
5690	MFI-A36	\$35.40	20	35	54.1	54.5	33	20	26.5	35	4040 / 8040	95g
7613	MFI-A36-H*	\$40.85	20	47	64.7	65.5	35	20	37.5	40	4040 / 8040	209g
5691	MFI-A34	\$32.63	30	40	53.1	55	29.5	12.5	34.5	30	2525 / 5025	90g
5692	MFI-A35	\$36.10	30	45	64.1	65.5	39	20	37.5	40	4040 / 8040	150g
7614	MFI-A35-H*	\$41.50	30	47	64.7	65.5	39	20	37.5	40	4040 / 8040	168g

*Heavy-duty versions use M6 hardware.

Application Examples

