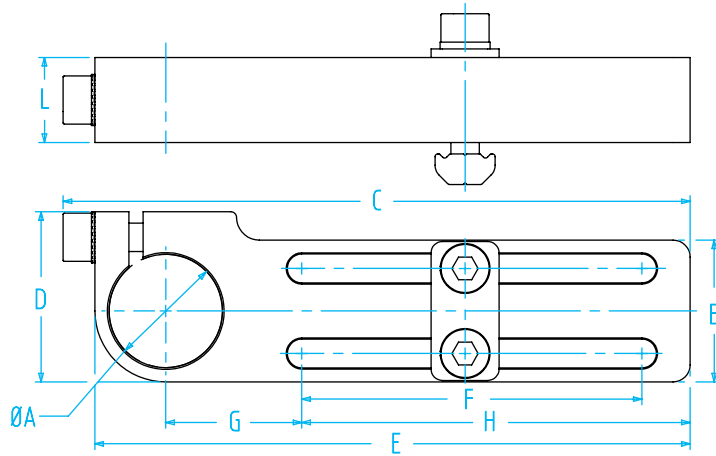


Heavy-Duty Long Angle Clamp



#5876

Extra thickness for heavy-duty applications



Heavy-Duty Long Angle Clamp

Quick#	Part#	Price	ØA	B	C	D	E	F	G	H	L	Wt.
5874	MFI-A207	\$19.72	10	16	75	20	70	40	16	46	8.3	30g
5875	MFI-A209	\$19.80	14	20	90.6	25	85	50	18	57	12	60g
5876	MFI-A205	\$21.12	20	25	110.6	30	105	60	24	68.5	15	85g
5877	MFI-A206	\$23.57	30	35	122.2	42	115	60	30	67.5	20	175g

Application Examples

