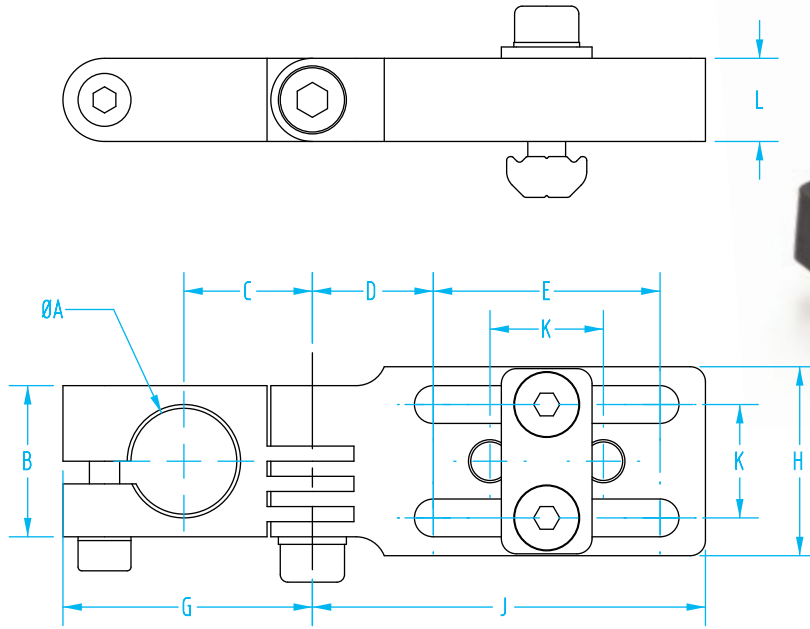


**Long Angle Clamp with Swivel Head**



*New, improved hinge design!*

**Long Angle Clamp with Swivel Head**

Quick#	Part#	Price	ØA	B	C	D	E	G	H	J	K	L	Weight
7109	MFI-A250	\$30.79	10	16	14	13	20	26.5	16	38	8	9	30g
7110	MFI-A251	\$35.76	14	20	17	16	30	33	25	52	15	11	50g
7111	MFI-A252	\$37.88	20	25	22	19	40	42	25	65	15	13	90g
7112	MFI-A253	\$43.94	30	36	28	24	50	54.5	36	81	22	16	185g

**Application Examples**

*These brackets may be mounted to profile horizontally or vertically using the hardware provided.*

