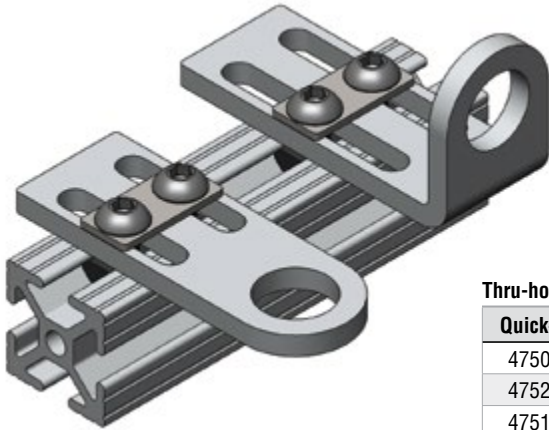


**Thru Hole Brackets for 80/20**

(Dimensioned drawings shown full scale)  
Dimensioned drawings shown in Inches & (mm).



**Thru-hole— requires the component being mounted to have two locking nuts.**

**Thru-hole Stainless Brackets**

Quick#	Part#	Style	Use with	ØA	Wt.	Price
4750	GSC-8020-4750	A	G1/8", M10	10.5mm	49g	\$5.78
4752	GSC-8020-4752	A	M16	16.5mm	59g	\$5.78
4751	GSC-8020-4751	A90	G1/8", M10	10.5mm	46g	\$6.94
4753	GSC-8020-4753	A90	M16	16.5mm	56g	\$6.94

Includes fasteners: M6 button head socket cap screws and standard T-nuts.

