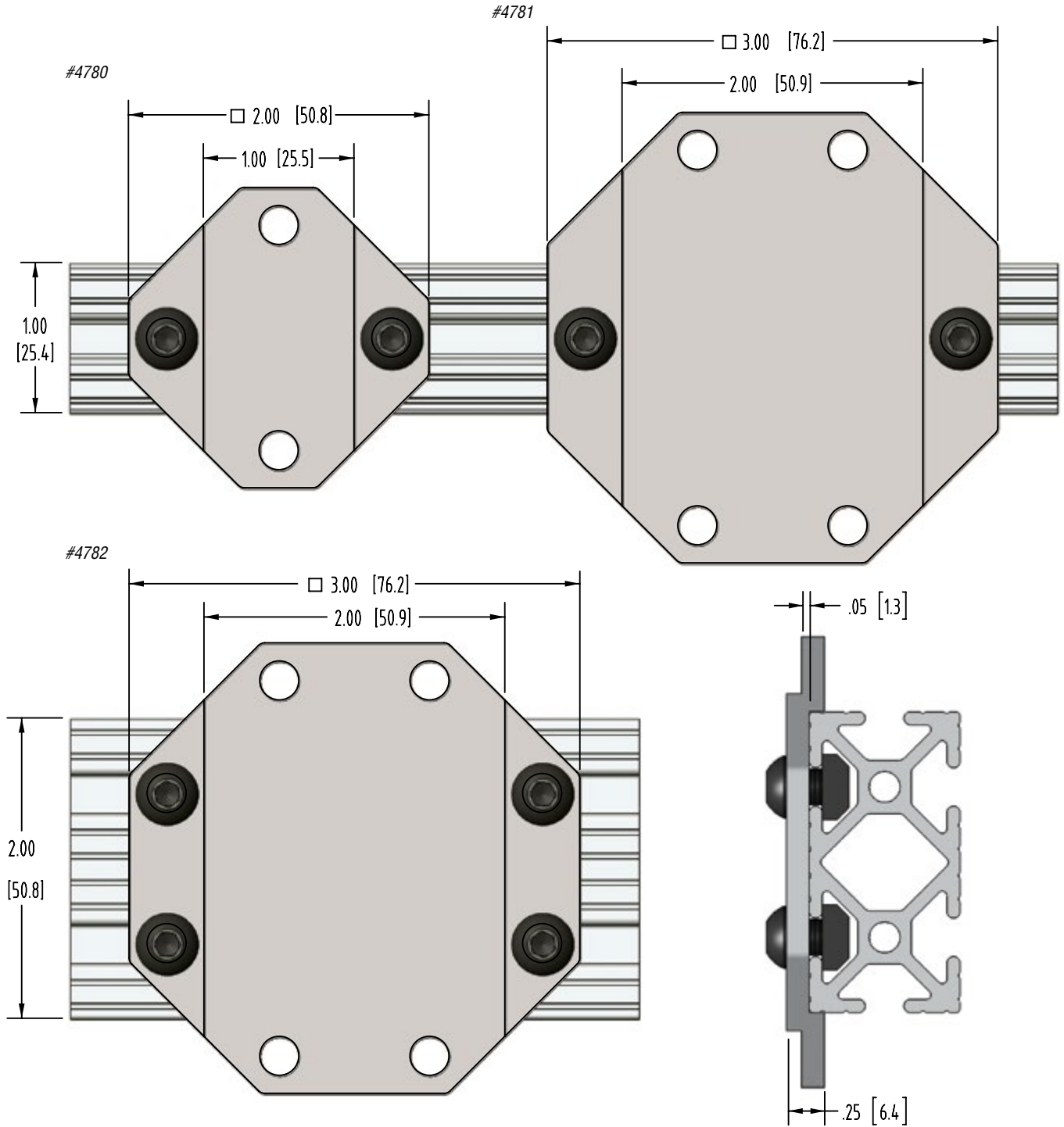


Profile Connectors for 80/20

(Dimensioned drawings shown full scale)
Dimensioned drawings shown in Inches & (mm).



Profile Connector Clamps

| Quick# | Part# | Price | Use with | Use with | Wt. |
|--------|---------------|---------|----------|----------|-----|
| 4780 | GSC-8020-4780 | \$17.25 | 1010 | 1010 | 43g |
| 4781 | GSC-8020-4781 | \$19.80 | 1010 | 1020 | 85g |
| 4782 | GSC-8020-4782 | \$19.80 | 1020 | 1020 | 87g |

Includes fasteners: M6 button head socket cap screws and standard T-nuts.