

PIAB® – Deep

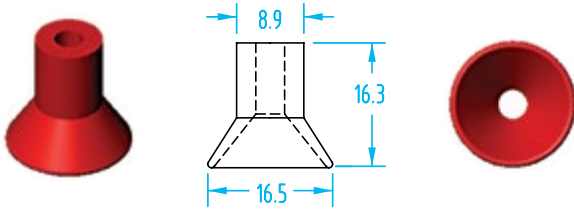
(Shown Actual Size)



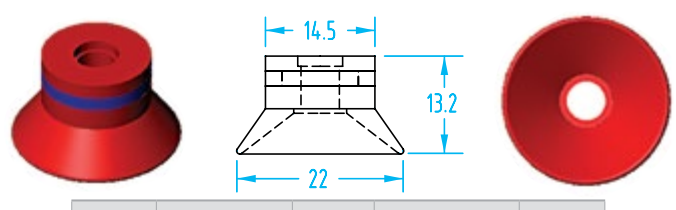
PIAB Vacuum Cup Properties

Material	Color	Max Temp.	Durometer
Silicone	Red	392°F	50°
Polyurethane TPU	Semi-Translucent White	176°F	81°
Chloroprene	Black	230°F	50°
Nitrile	Black w/White Dot	225°F	50°

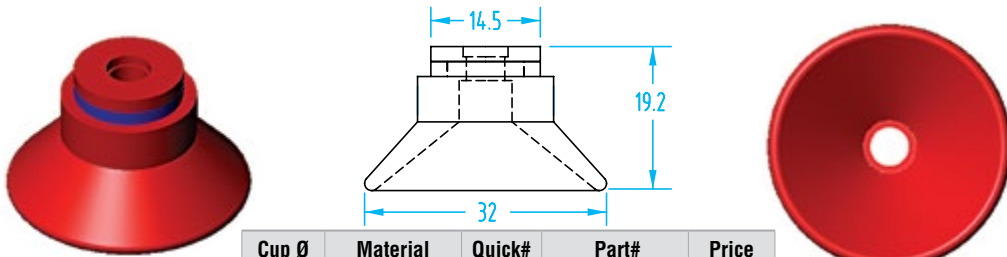
Use Quick#s for easy online ordering.



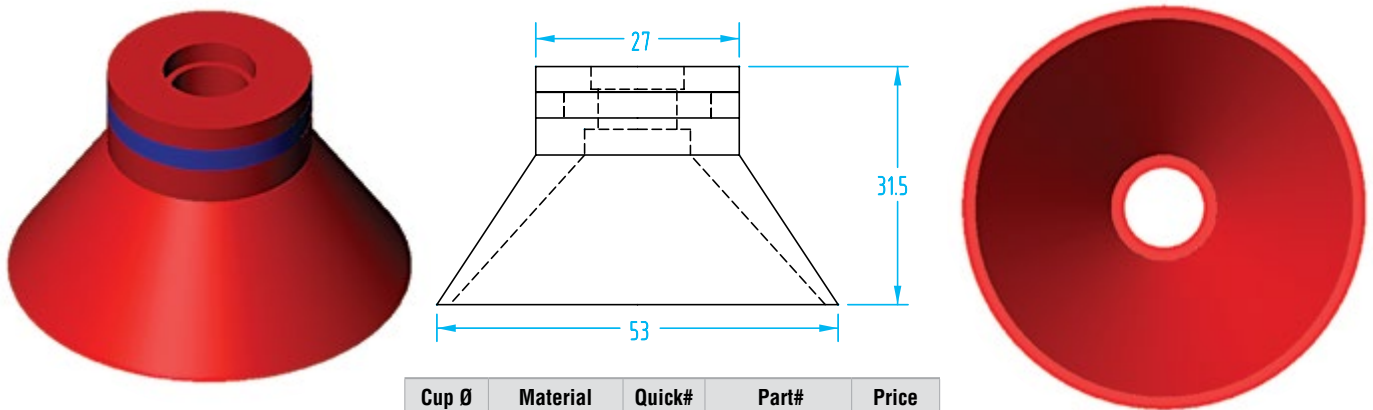
Cup Ø	Material	Quick#	Part#	Price
15mm	Silicone	5111	GSV-D15-2-20	\$5.74
	Chloroprene	5138	GSV-D15-2-10	\$3.39
Nipple	M5 Male	1439	GSV-01AC	\$1.36



Cup Ø	Material	Quick#	Part#	Price
20mm	Silicone	5112	GSV-D20-2-20	\$7.66
	Chloroprene	5139	GSV-D20-2-10	\$4.91
Nipple	G1/8" & M5	1440	GSV-02AF	\$4.23
	G1/8" Male	5157	GSV-02AB	\$4.47



Cup Ø	Material	Quick#	Part#	Price
30mm	Silicone	5113	GSV-D30-2-20	\$9.39
	Chloroprene	5140	GSV-D30-2-10	\$6.62
Nipple	G1/8" & M5	1440	GSV-02AF	\$4.23
	G1/8" Male	5157	GSV-02AB	\$4.47



Cup Ø	Material	Quick#	Part#	Price
50mm	Silicone	5114	GSV-D50-20	\$18.24
	Chloroprene	5141	GSV-D50-10	\$10.49
Nipple	G1/8" Female	1442	GSV-05AG	\$6.70