

## ShorTec® Dual Durometer with Large Lip – 2.5 Bellows

(Shown Actual Size)



### Dual Durometer Vacuum Cups, now with a larger and more flexible lip!

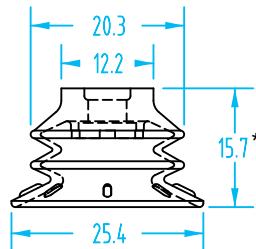
Dual durometer-style vacuum cups are considered to be the best performing polyurethane cup.

These yellow dual durometer cups are comparable to our current cups on page 304–305 but with larger and more flexible lips. They use mark-free and long-lasting polyurethane, and fit the same size nipples. The yellow bellows have a 55° shore and a large, flexible sealing surface with a lighter blue 30° shore.

Vacuum Cup Properties

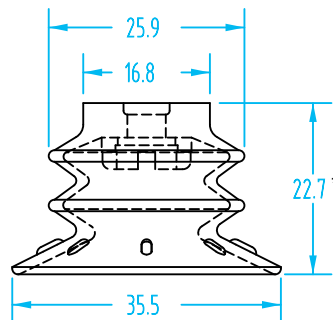
Material	Color	Max Temp.	Durometer
Polyurethane	Yellow / Blue	122°F	30° / 55° Shore

\* 7.7mm Compressed



Cup Ø	Material	Quick#	Part#	Price
25mm	Polyurethane	2066	25B-DDBL-25	\$9.20
Nipple	G1/8" Male	5982	F02-G8M	\$2.88
	G1/8" Female	5983	F02-G8F	\$2.88

\*11.5mm Compressed

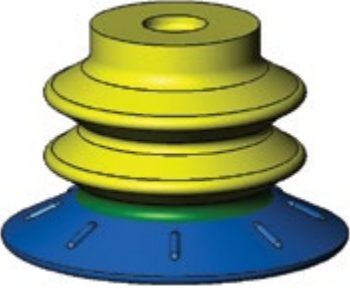
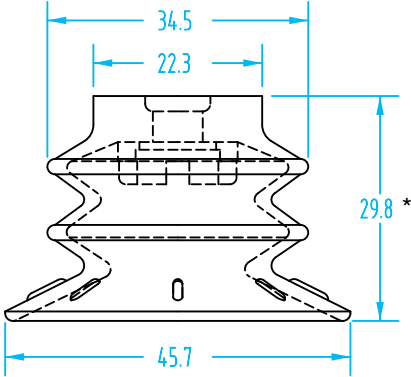


Cup Ø	Material	Quick#	Part#	Price
35mm	Polyurethane	2067	25B-DDBL-35	\$12.10
Nipple	G1/8" Male	5982	F02-G8M	\$2.88
	G1/8" Female	5983	F02-G8F	\$2.88


**ShorTec® Dual Durometer with Large Lip – 2.5 Bellows**

(Shown Actual Size)

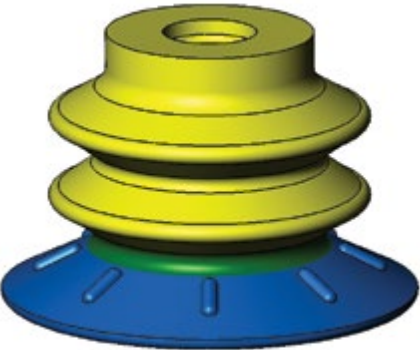
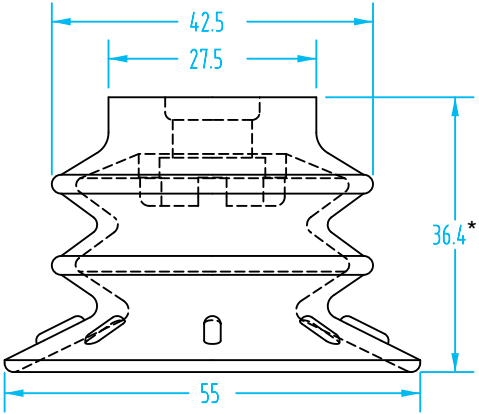
Order nipples separately. See page 308–309 for nipple dimensions.


\* 15mm Compressed



Cup Ø	Material	Quick#	Part#	Price
45mm	Polyurethane	2068	25B-DDBL-45	\$14.20
<b>Nipple</b>	G1/4" Male	5984	F03-G4M	\$3.58
	G1/4" Female	5985	F03-G4F	\$3.58

\* 18mm Compressed



*G3/8" to G1/4" reducer fittings are available on catalog page 1063.*

Cup Ø	Material	Quick#	Part#	Price
55mm	Polyurethane	2069	25B-DDBL-55	\$16.30
<b>Nipple</b>	G3/8" Male	5986	F04-G3M	\$3.92
	G3/8" Female	5987	F04-G3F	\$3.92