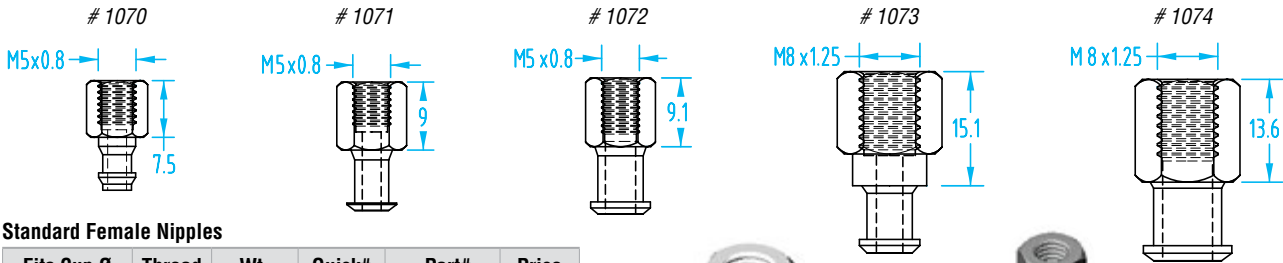


SMC® – Nipples and Adaptors

(Shown Actual Size)

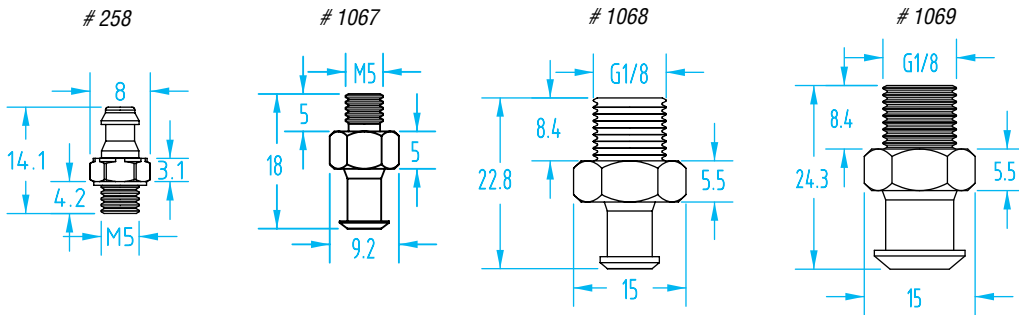


Standard Female Nipples

Fits Cup Ø	Thread	Wt.	Quick#	Part#	Price
2–8mm	M5	3g	1070	ZPT1B5	\$3.25
10–16mm	M5	4g	1071	ZPT2B5	\$6.15
20–32mm	M5	4g	1072	ZPT3B5	\$6.15
20–32mm	M8	12g	1073	ZPT3B8	\$6.15
40–50mm	M8	12g	1074	ZPT4B8	\$6.15

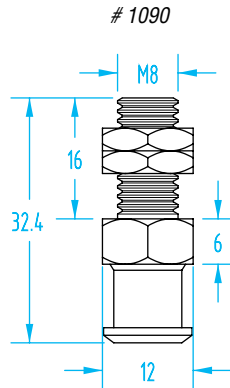


Shown with vacuum cup attached (typical)

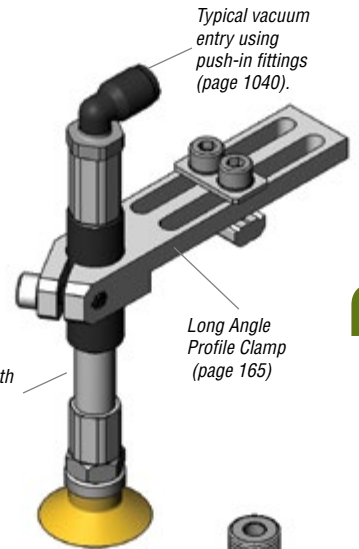


Standard Male Nipples

Fits Cup Ø	Thread	Wt.	Quick#	Part#	Price
2–8mm	M5	4g	258	GSF-BS-M506	\$0.78
10–16mm	M5	5g	1067	GSF-ZPT2-M5S	\$6.15
10–16mm	M5	10g	1088	ZPT2A5	\$6.40
20–32mm	M8	13g	1089	ZPT3A8	\$6.40
20–32mm	G1/8"	13g	1068	GSF-ZPT3-G8	\$6.15
40–50mm	M8	13g	1090	ZPT4A8	\$6.40
40–50mm	G1/8"	13g	1069	GSF-ZPT4-G8	\$6.15

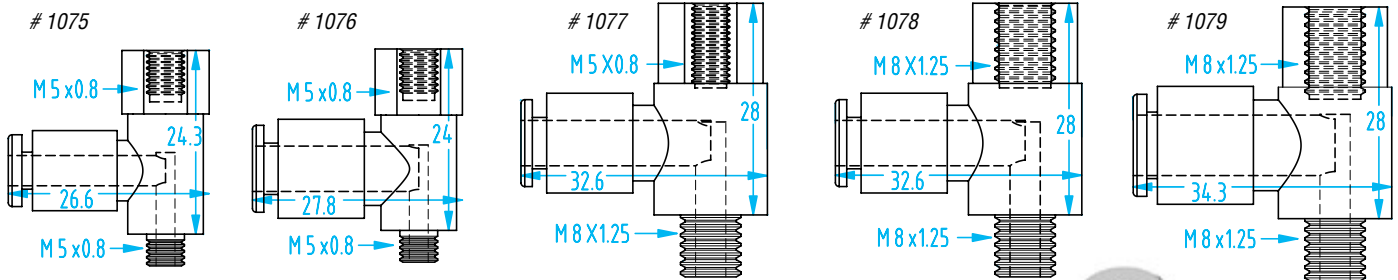


Gimatic Smooth Suspension (page 236)



Long Angle Profile Clamp (page 165)

Shown with vacuum cup attached (typical)



One-Touch Adaptor for Standard Nipples (use with standard polyurethane tubing)

Fits Cup Ø	Tubing Dia.	Thread	Wt.	Quick#	Part#	Price
2–16mm	Ø 4mm	M5	12g	1075	ZPRS04B5	\$12.80
2–16mm	Ø 6mm	M5	14g	1076	ZPRS06B5	\$12.80
20–32mm	Ø 6mm	M5	24g	1077	ZPRL06B5	\$13.80
20–50mm	Ø 6mm	M8	24g	1078	ZPRL06B8	\$13.80
20–50mm	Ø 8mm	M8	24g	1079	ZPRL08B8	\$13.80

See page 336 for typical assembly styles.



Screws into standard nipples (above)