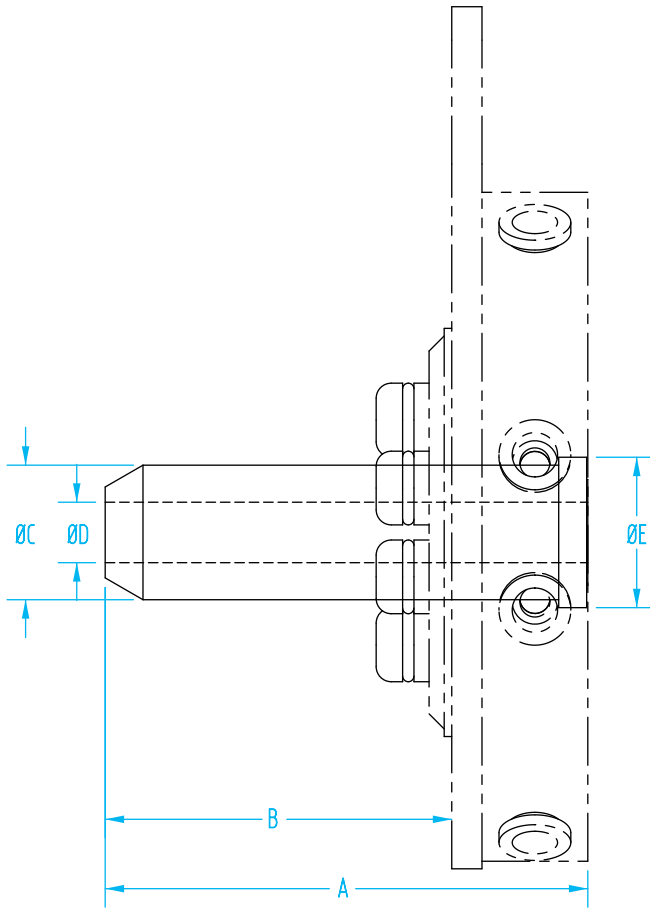


WGS / Senvex Quick Changer Centering Pin

- Guides the manual centering of heavy EOATs.
- Made of aluminum
- To be positioned on the robot side.
- Made for WGS/Senvex Quick Changers



WGS / Senvex Quick Changer Centering Pin

Quick#	Part#	Price	Quick Changer	A	B	ØC	ØD	ØE	Wt.
1791	GSQ-CP-QC90	\$26.00	Standard (GSQ-R) 90mm	64	46	18	8	20	34g
1793	GSQ-CP-QC150	\$28.00	Large (GSQ-LR) 150mm	100	74	40	20	50	253g

NEW

Application Example

