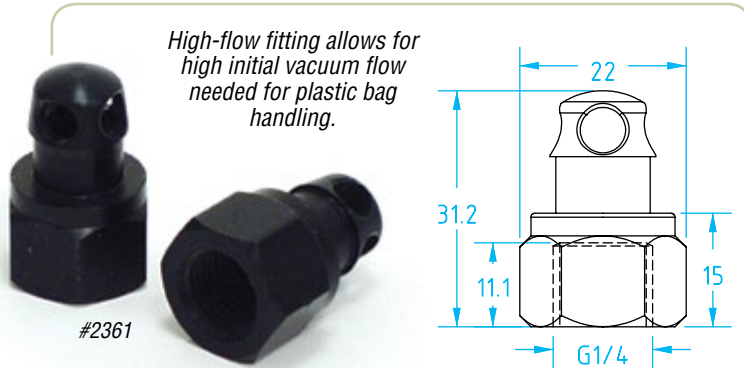


**Packaging & Paper**

(Shown Actual Size)



#2361

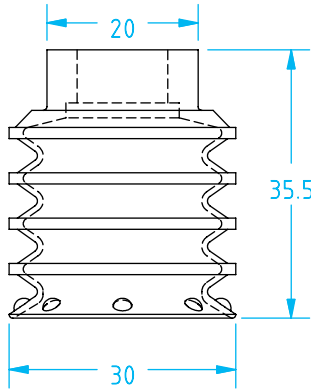
**Nipples**

Quick#	Part#	Thread	Weight	Price
2359	GSF-04AJ	G3/8" Male	11g	\$4.80
2360	GSF-04AL	3/8" NPT Male	11g	\$4.94
2361	GSF-NF8-G4F	G1/4" Female	10g	\$4.50

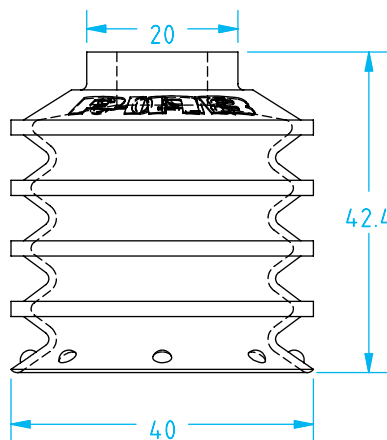


Dual Durometer Properties - Packaging & Paper

Material	Color	Max Temp.	Durometer
Dual Durometer Polyurethane	Black / Yellow	122°F	70° / 30° Shore



Pad øD	Part#	Material	Quick#	Weight	Price
30mm	GSV-BL30-3P-4L	Polyurethane	5448	5.9g	\$18.87



Pad øD	Part#	Material	Quick#	Weight	Price
40mm	GSV-BL40-3	Polyurethane	2358	12g	\$21.94