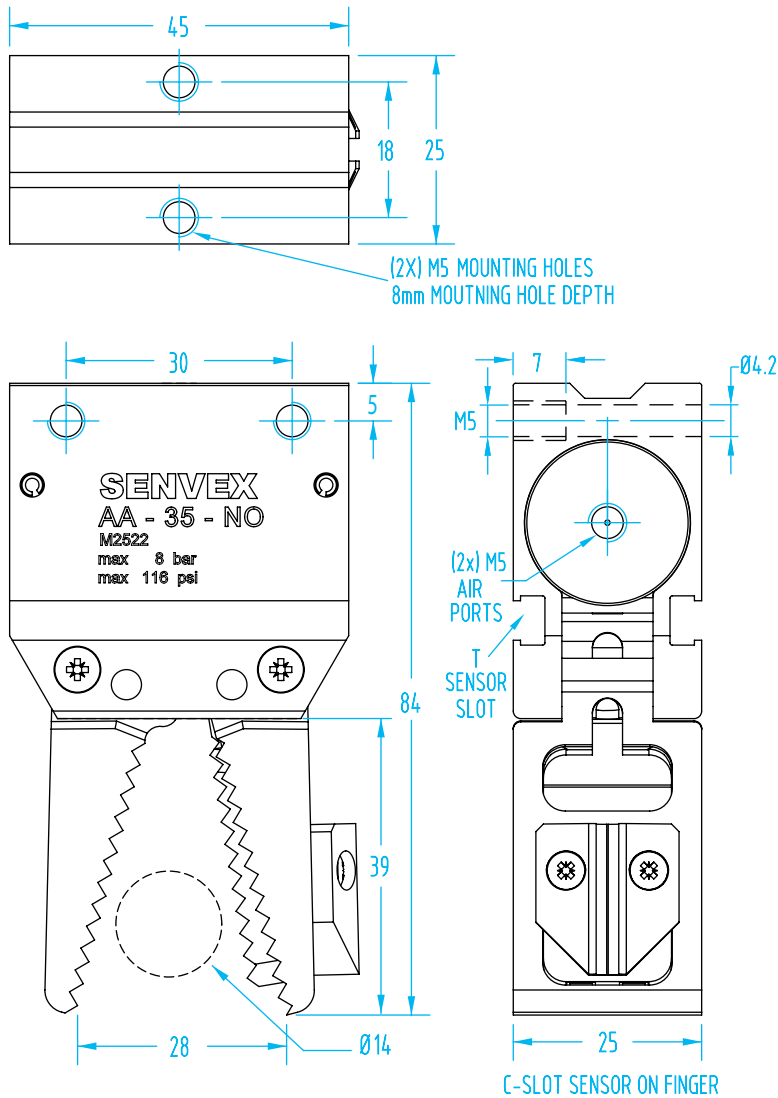


Wide Sensor Finger – AA-35

(Dimensioned drawings shown full scale)



- **Simple, easy sensing.** A single sensor mounted on the finger confirms 'sprue gripped' and eliminates the typical 'hide and seek' process of sensor set-up.
- The sprue detection mechanism is made of anodized aluminum for long life and built into the finger. Interlaced and serrated fingers allow a wide range of sprue diameters to be gripped and sensed.
- Wide fingers allow the sprue to be gripped closer to the runner for a more secure hold. Gripper body and fingers are the same width.
- The high-power gripper body and closing mechanism are the same as the popular AA-22 and AA-26 models—of which thousands are in reliable operation.

Fittings Available on page 1037



Quick#	Part#	Price	Operation	Applicable Sprue Ø	lbs. Force at 30mm Tooling Length*	Weight
6625	AA-35-NO	\$232.00	Normally Open	4–14mm	19.0 lbf	135g
6626	AA-35	\$232.00	Double Acting	4–14mm	22.5 lbf	135g
Order SS or SL sensors separately			<i>* Force when compressed air is supplied at 87psi. Tooling length is measured from jaw pivot point.</i>			
1882	SS4N225G	\$26.14	PNP sensor	C-slot, 3-wire with 2.5m leads		
6282	SS3N203G	\$29.96	PNP sensor	C-slot, 3-wire with 0.3m lead & M8 connector*		
1883	SS4M225G	\$26.14	NPN sensor	C-slot, 3-wire with 2.5m leads		
1884	SS3M203G	\$29.96	NPN sensor	C-slot, 3-wire with 0.3m lead & M8 connector*		
7440	K-SENS	\$4.63	Sensor adaptor must be purchased separately for T Sensor slot			

(*) M8 Extension cables Quick#s 2582 & 2583 available on page 981

Use Quick#s for easy online ordering.