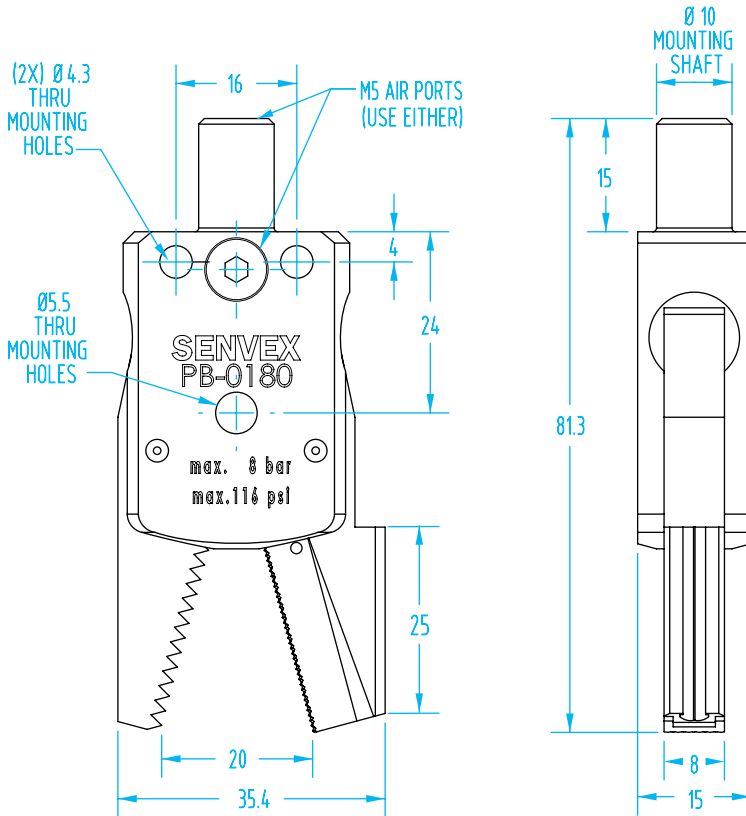


Sprue Gripper with Steel Sensor Finger – PB-0180 & PB-0181

(Dimensioned drawings shown full scale)



Quick#	Part#	Price	Style	Applicable Sprue Ø	lbs. Force at 25mm Tooling Length*	Weight
6988	PB-0180-S	\$142.00	Sprue Detect	3–9mm	14.5 lbf	60g
6999	PB-0181-S	\$152.00	Sprue Detect	3–9mm	14.5 lbf	75g
<i>Order sensors separately</i>						
1882	SS4N225G	\$26.14	PNP sensor	3-wire with 2.5m leads		6–24vdc
6282	SS3N203G	\$29.96	PNP sensor	3-wire with 0.3m lead & M8 connector**		6–24vdc
1883	SS4M225G	\$26.14	NPN sensor	3-wire with 2.5m leads		6–24vdc
1884	SS3M203G	\$29.96	NPN sensor	3-wire with 0.3m lead & M8 connector**		6–24vdc

* Force when compressed air is supplied at 87psi. Tooling length is measured from jaw pivot point.

- Piston bore: 12mm
- Single-acting with protected opening spring
- Sensor on the jaw (purchase separately)
- Steel sensor finger

Note: 2-wire reed sensors are not recommended for grippers.
 (***) M8 Extension cables Quick#'s 2582 & 2583 available on page 981



Fittings Available on page 1037