

Micro Sprue Gripper – PB-0008



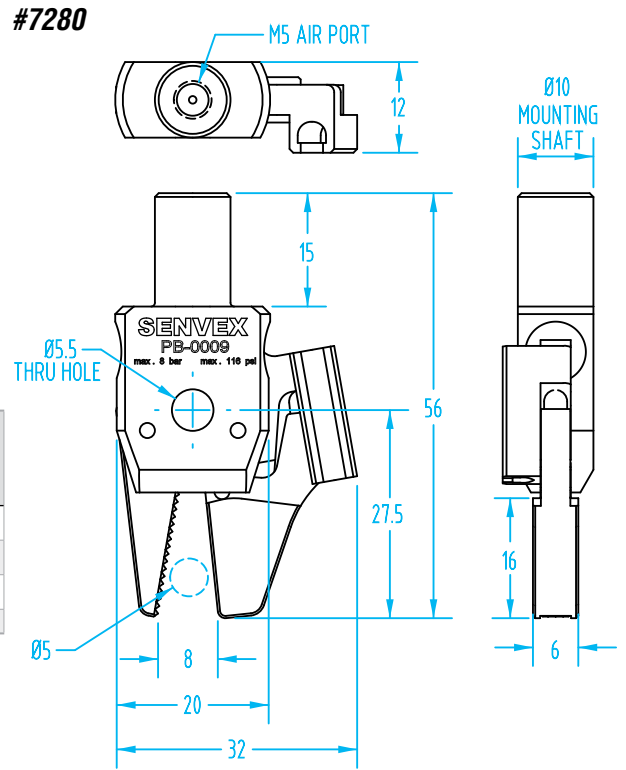
(Dimensioned drawings shown full scale)

NEW #7461

#6613

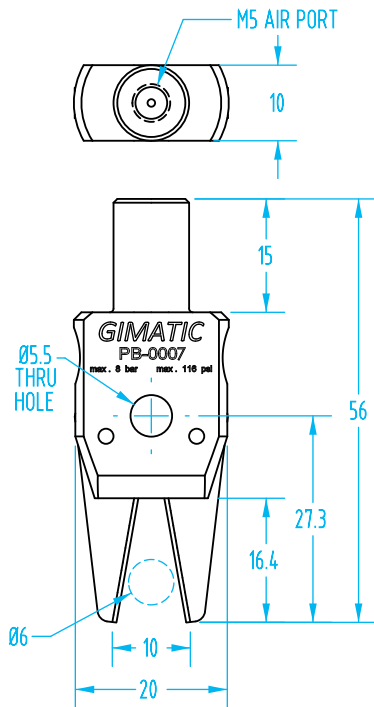
Quick#	Part#	Price	Description	Applicable Sprue Ø	lbs. Force at 18mm Tooling Length*	Wt.
6613	PB-0008-NO	\$104.00	Normally Open	1–6mm	6.0 lbf	14g
7461	PB-0007	\$119.00	Padded Jaws	1–6mm	6.0 lbf	13g
7280	PB-0009S	\$134.00	Sensor Slot	1–6mm	6.0 lbf	25g

* Force when compressed air is supplied at 87psi. Tooling length is measured from jaw pivot point.

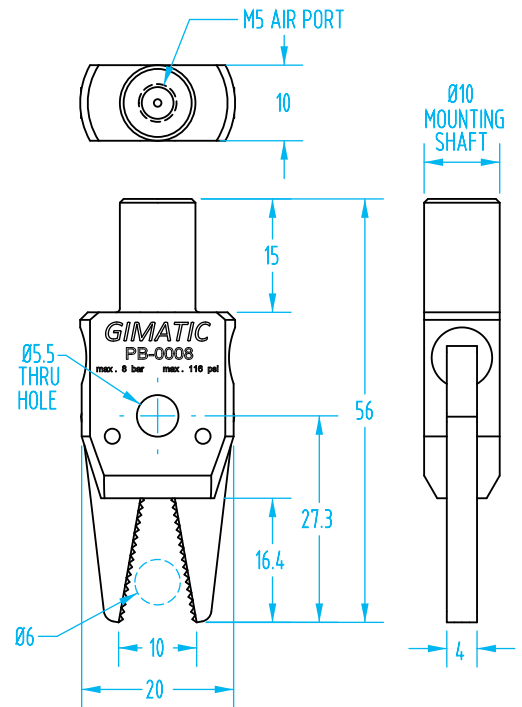


- Utilizes the same simple, strong, and lightweight mechanism as the other PB grippers with years of proven reliable service.
- Gripper fingers join at the tip to prevent small part/sprue loss for diameters as small as 1mm.
- Small diamond-textured gripping surface aids in both pulling and cradling small sprues.
- Ø10mm diameter mounting post with M5 airport allows this gripper to be used with standard mounting and air connection components.
- Very compact and lightweight but with enough grip force to reliably grip small parts and sprues.
- New Ø5.5 thru hole added for direct plate mounting.
- #7280: Simple, easy sensing.** This is based on the popular PB-0008 gripper, but with the addition of a sensor slot on the finger. Using a single sensor mounted on the finger positively confirms the sprue is gripped. Eliminates 'hide and seek' process of sensor set-up. See SS sensors below.
- #7461: Non-marking HNBR pads** have a maximum temperature of 302°F.
- Replacement parts available online.

#7461



#6613



Sensors for Micro PB Grippers

Quick#	Part#	Price	Signal	Description
1882	SS4N225G	\$26.14	PNP sensor	3-wire with 2.5m lead
6282	SS3N203G	\$29.96	PNP sensor	3-wire with 0.3m lead & M8 connector
1883	SS4M225G	\$26.14	NPN sensor	3-wire with 2.5m lead
1884	SS3M203G	\$29.96	NPN sensor	3-wire with 0.3m lead & M8 connector

Replacement Pads for PB-0007 - priced EACH

Quick#	Part#	Material	Price
7373	PB-0007-1	HNBR	\$5.09