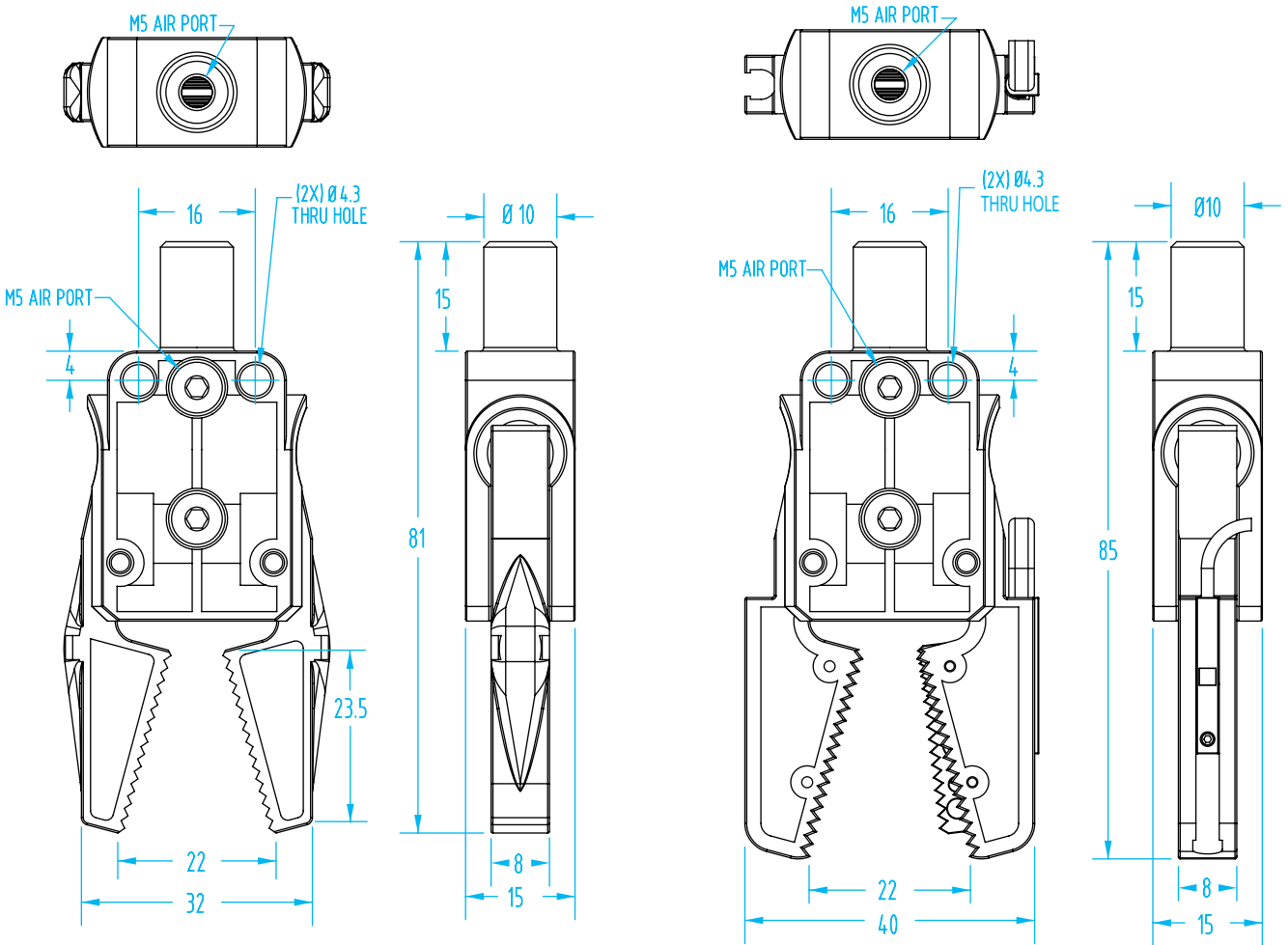


Mini Die Cast Grippers – BB

(Dimensioned drawings shown full scale)

- Utilizes the reliable PB-type of mechanism except this gripper is die cast construction resulting in a lower cost but it is about 50% heavier than aluminum constructed PB grippers of the same size.
- Sensor models come with the sensor installed and configured. A single sensor mounted on the finger confirms gripping of the sprue.
- Serrated fingers hold small and medium diameter sprues well.
- Made of Zamak™



Quick#	Part#	Price	Style	Operation	Applicable Sprue Ø	lbs. Force at 25mm Tooling Length*	Weight
6553	BB-12-NO	\$89.00	No Sensor	Normally Open	3–9mm	11.0 lbf	74g
6554	BB-13-NO	\$99.00	Supplied with PNP Sensor	Normally Open	3–9mm	11.0 lbf	88g
6555	BB-14-NO	\$99.00	Supplied with NPN Sensor	Normally Open	3–9mm	11.0 lbf	88g
6578	BB-13-00	\$99.00	Supplied with PNP Sensor	Double-Acting	3–9mm	11.7 lbf	76g

* Force when compressed air is supplied at 87psi. Tooling length is measured from jaw pivot point.

Note: 2-wire reed sensors are not recommended for grippers.