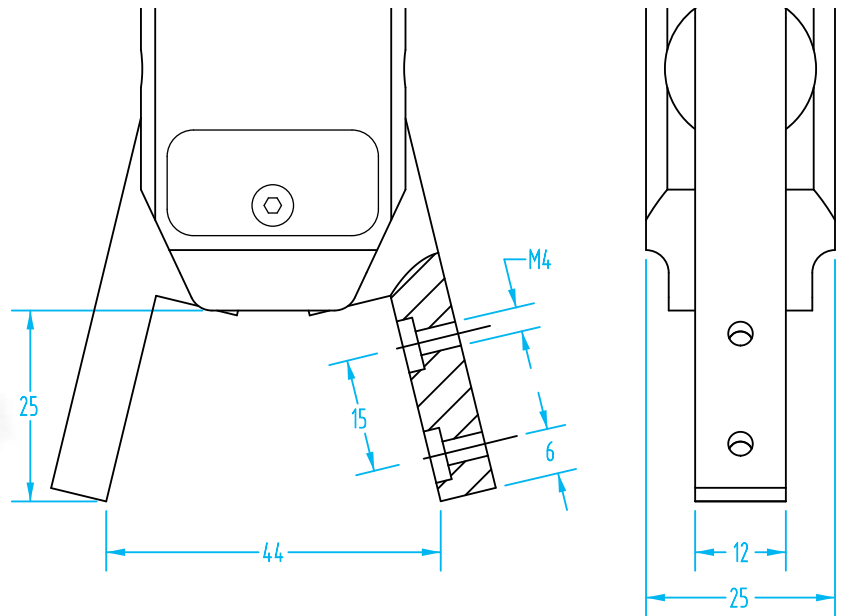


## Full-Body Sprue Grippers – GRZ 20-20

(Dimensioned drawings shown full scale)

### #3717 - With custom jaws



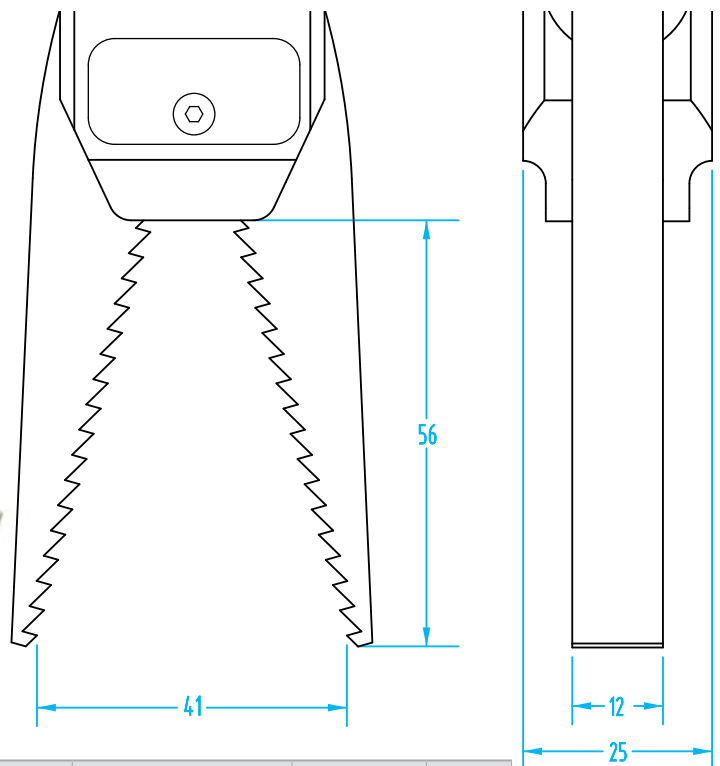
Fittings Available  
on page 1037



Quick#	Part#	>ASS< #	Price	lbs. Force at 30mm Tooling Length*	Weight
3717	GRZ-20-20-A	1-417-03-00	\$173.50	32.0 lbf	130g

\*Note: Closing force at 87psi (6bar)

### #3641 - With long saw jaws



Quick#	Part#	>ASS< #	Price	lbs. Force at 30mm Tooling Length*	Applicable Sprue Ø	Weight
3641	GRZ-20-20-SL	1-417-07-00	\$260.00	32.0 lbf	5–25mm	133g

\*Note: Closing force at 87psi (6bar)