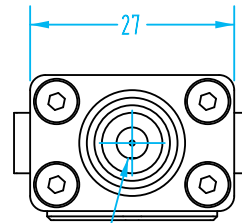


Medium-Body Sprue Grippers – GRZ 14

(Dimensioned drawings shown full scale)

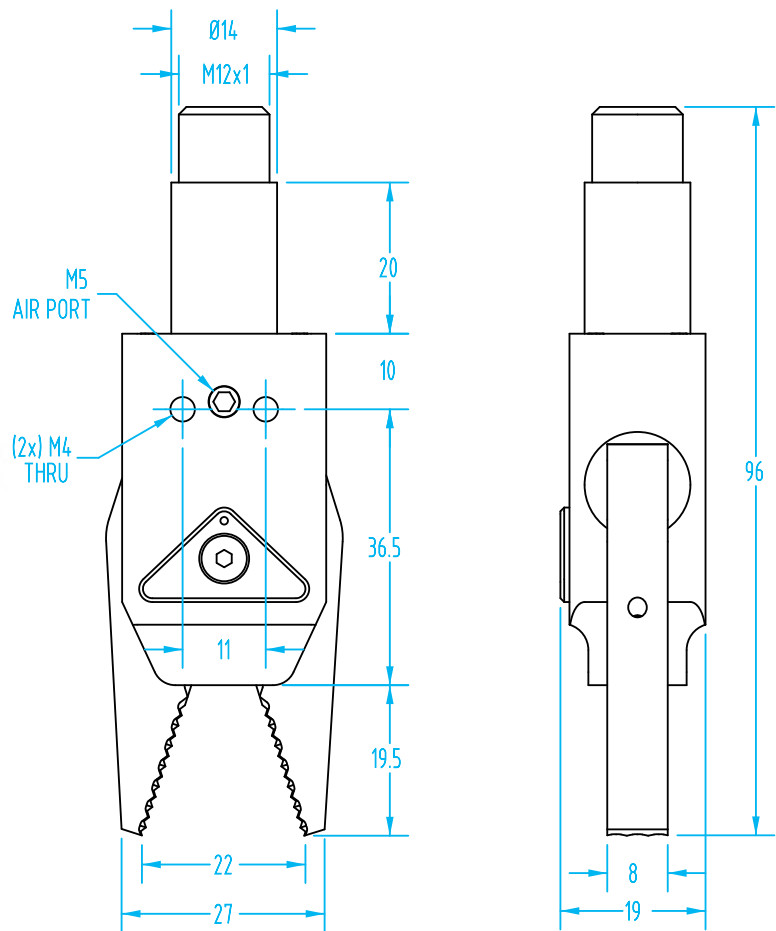
GRZ 14 Features:

- A push-in fitting for Ø6mm tubing is pre-installed in shaft.
- Single acting with spring opening.
- Jaws are made of hard-coated aluminum, body made of anodized aluminum.
- Many mounting options — Ø14mm clampable body.
- M5 air ports in shaft and side.
- Grippers with sensors also include a 6' extension cable.



M5 AIR PORT
WITH PRE-INSTALLED Ø6MM FITTING

#3723 - With diamond textured jaws



Fittings Available
on page 1037



Quick#	Part#	>ASS< #	Price	lbs. Force at 30mm Tooling Length*	Applicable Sprue Ø	Weight
3723	GRZ-14-R	1-414-00-00	\$181.00	18.5lbf	2–12mm	65g

*Note: Closing force at 87psi (6bar)