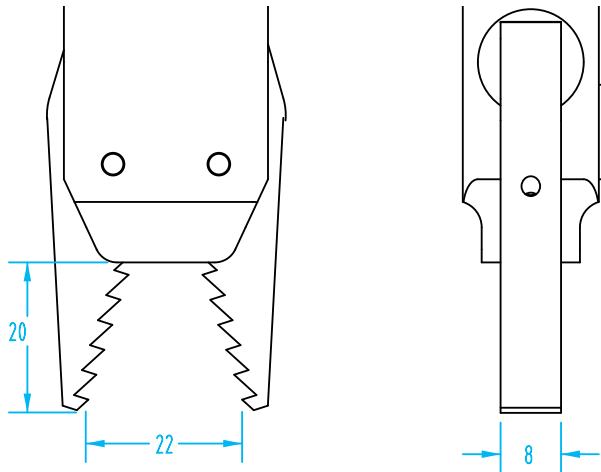


**Medium-Body Sprue Grippers – GRZ 14**

(Dimensioned drawings shown full scale)



**#3713 - With saw jaws**



Quick#	Part#	>ASS< #	Price	lbs. Force at 30mm Tooling Length*	Applicable Sprue Ø	Weight
3713	GRZ-14-S	1-414-40-00	\$217.00	18.5lbf	2–12mm	65g

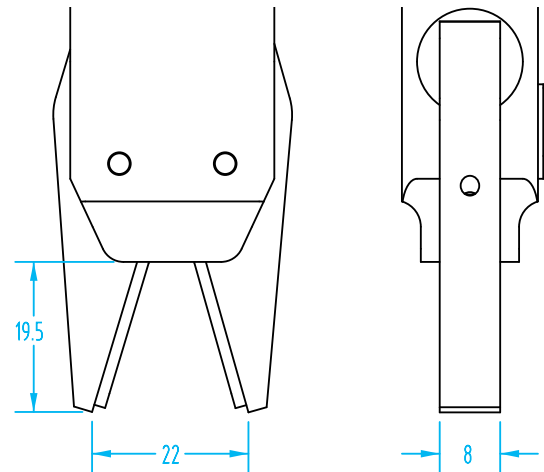
*\*Note: Closing force at 87psi (6bar)*

**#3724 - With soft touch coated jaws**

- Silicone free, non-marking coating
- 194°F (266°F short term) max. temperature

**#3710 - With polyurethane padded jaws**

- Silicone free, non-marking pads
- Short term contact for PU pads is 230° F



Quick#	Part#	>ASS< #	Price	Style	lbs. Force at 30mm Tooling Length*	Applicable Sprue Ø	Weight
3724	GRZ-14-EP	1-414-65-00	\$240.00	Coated jaws	18.5lbf	2–12mm	65g
3710	GRZ-14-PU	1-414-30-00	\$210.00	Padded jaws	18.5lbf	2–12mm	65g

*\*Note: Closing force at 87psi (6bar)*