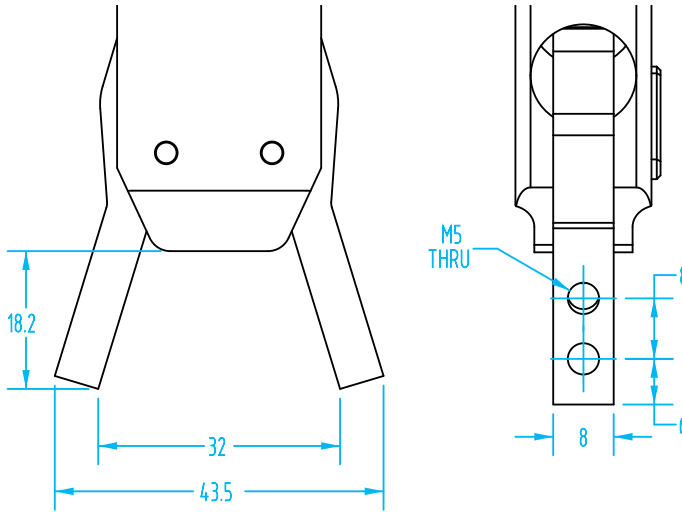


Medium-Body Sprue Grippers – GRZ 14

(Dimensioned drawings shown full scale)

#3716 - With custom jaws



Quick#	Part#	>ASS< #	Price	lbs. Force at 30mm Tooling Length*	Weight
3716	GRZ-14-A	1-414-09-00	\$175.00	18.5lbf	65g

**Note: Closing force at 87psi (6bar)*

Search by Quick# – Find Replacement Parts Online!

Product Detail

1879 Servex Mini Sprue Gripper - Normally Open

- Higher grip force than other similarly sized sprue grippers.
- Serrated fingers hold small and medium sprues firmly.
- 21.5mm diameter mounting post with M5 air port allows this gripper to be used with standard mounting and air connection components. Alternate M6 air port on front of gripper can be used.

Item # - GSG PB 0014S
\$99.00 Each

Quantity:

Add to Cart

Available: In Stock
 CAD File Download
 Technical Specifications
 360 Degree View

Overview | Technical Specifications | Dimensional Drawing

- 48g
- Normally Open
- 3-9mm Applicable Sprue
- 14.5lbf Lbs. Force at tooling length (Measured at jaw pivot point).

Related Items

- Application examples
- CAD file downloads
- Additional specifications
- Dimensional drawings
- Related items
- Exploded views with Replacement parts

Parts for 1879 Servex Mini Sprue Gripper - Normally Open

Enter the quantity for each needed part and click add to cart

No.	Part No.	Item Description	Qty Req.	Price	Qty
1	PD 0013 6	Replacement Main Spring	0	\$3.06 Each	
1	BB 12 03	Replacement Piston Top	0	\$2.58 Each	
1	BB 12 06	Replacement Piston Bottom	0	\$2.58 Each	
1	K271	Seal Kit	0	\$3.14 Each	
1	K272 PB13	Pin Kit	0	\$2.25 Each	
1	107 M5	219 M5 Internal Hex Threaded Plug	0	\$1.25 Each	
1	PD 0014 I	Replacement Serrated Jaw for Normally Open PB Grippers	0	\$24.67 Each	

Easy online ordering!

- Track Orders
- Create Supply Lists
- Order from History
- Export Purchase Orders

