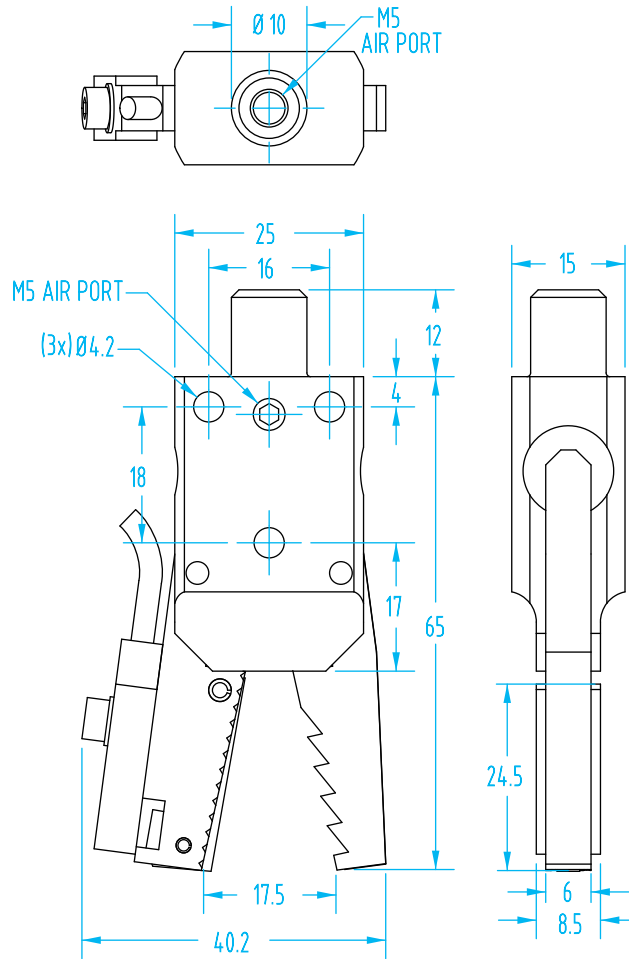


Mini Sprue Grippers – GRZ 10-12

(Dimensioned drawings shown full scale)

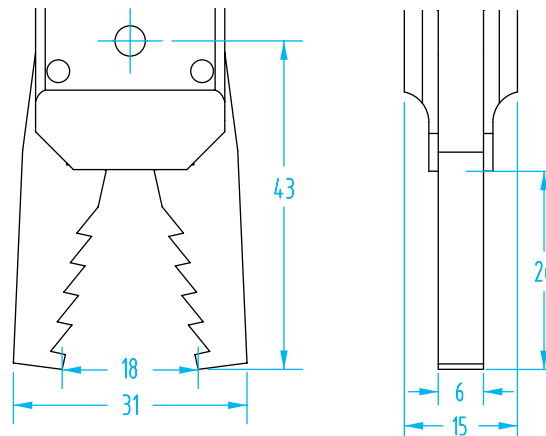
#3719 / #3720 - With saw jaw & sensor



Quick#	Part#	>ASS< #	Price	Sensor	lbs. Force at 25mm Tooling Length*	Applicable Sprue Ø	Wt.
3719	GRZ-10-12-SCS-PNP	1-412-37-00	\$230.00	PNP	11.0 lbf	3–9mm	58g
3720	GRZ-10-12-SCS-NPN	1-412-38-00	\$230.00	NPN	11.0 lbf	3–9mm	58g

Includes sensor with M8 plug and a 6' KG 8-3 extension cable. *Note: Closing force at 87psi (6bar)

#3658 - With saw jaws



Quick#	Part#	>ASS< #	Price	lbs. Force at 25mm Tooling Length*	Applicable Sprue Ø	Wt.
3658	GRZ-10-12-S	1-412-35-00	\$153.00	11.0 lbf	4–9mm	39g

*Note: Closing force at 87psi (6bar)