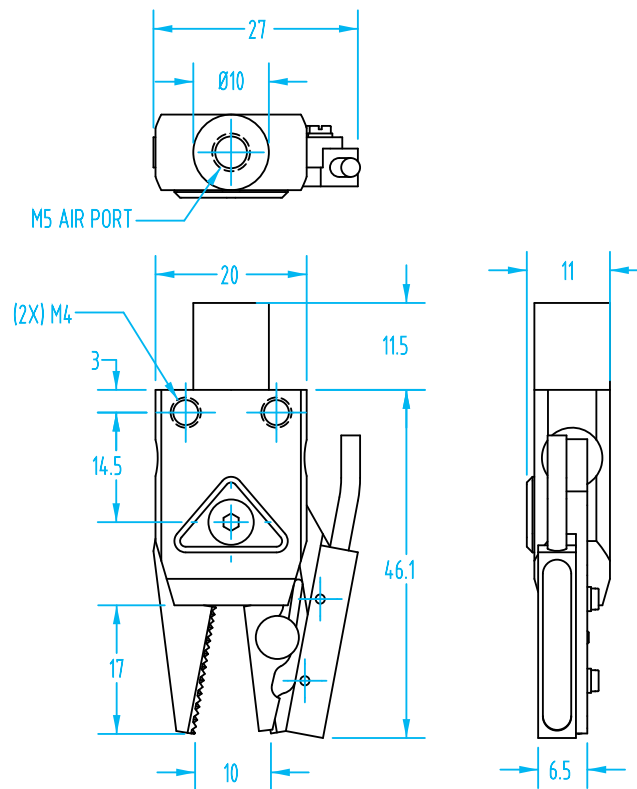


Micro Sprue Grippers with Sensor – GRZ 10-08

Application Suggestions:

- #3566 / #3567 has an improved trigger mechanism for reliably detecting small parts.
- #3164 / #3164 has EP coated jaws for soft touch.
- #3317 / #3318 is specifically designed for sensing soft materials.
- All grippers include sensors that have a 6 foot long lead (no connector).

#3566 / #3567 - Micro gripper with textured jaw and sensor



Quick#	Part#	>ASS< #	Price	Style	lbs. Force at 18mm Tooling Length*	Applicable Sprue \varnothing	Wt.
3566	GRZ-10-08-C-PNP	1-408-17-00	\$169.00	Textured Jaw - PNP sensor	6.5 lbf	1–6mm	49g
3567	GRZ-10-08-C-NPN	1-408-18-00	\$240.00	Textured Jaw - NPN sensor	6.5 lbf	1–6mm	49g
NEW	3162	GRZ-10-08-CF-PNP	1-408-21-00	Coated Jaw - PNP sensor	6.5 lbf	1–6mm	45g
	3164	GRZ-10-08-CF-NPN	1-408-22-00	Coated Jaw - NPN sensor	6.5 lbf	1–6mm	45g
NEW	3317	GRZ-10-08-C-WK-PNP	1-408-19-00	Radiused Jaw - PNP Sensor	6.5 lbf	1–6mm	50g
	3318	GRZ-10-08-C-WK-NPN	1-408-20-00	Radiused Jaw - NPN Sensor	6.5 lbf	1–6mm	50g

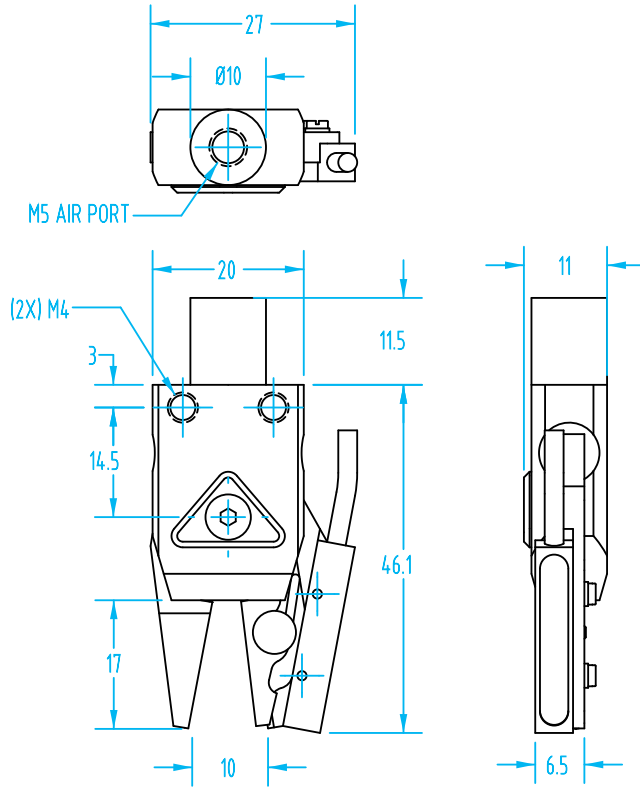
Sensors have 6 foot long cable with no connector.

*Note: Closing force at 87psi (6bar)

Micro Sprue Grippers with Sensor – GRZ 10-08

(Dimensioned drawings shown full scale)

#3162 / #3164 - Micro gripper with coated jaw and sensor



#3317 / #3318 - Micro gripper with radiused jaw and sensor

