

**Compact Sprue Grippers – GRZ 20-16**

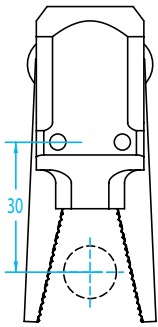
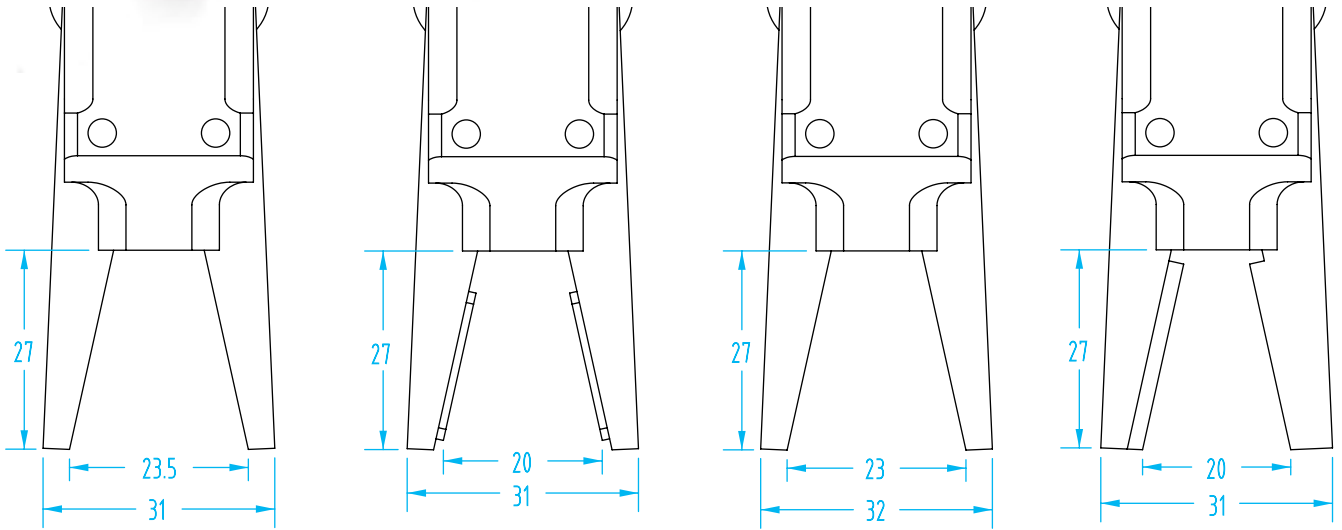
(Dimensioned drawings shown full scale)

**#3663 – Smooth jaws**

**#3667 – Padded jaws**

**#3727 – Coated jaws**

**#3664 – V-tooth jaws**



Tooling Length

Quick#	Part#	>ASS< #	Price	Style	lbs. Force at 30mm Tooling Length*	Applicable Sprue Ø	Wt.
3663	GRZ-20-16-G	1-415-60-00	\$204.00	Smooth jaws	14.6 lbf	2–12mm	146g
3667	GRZ-20-16-PU	1-415-30-00	\$204.00	Polyurethane pads	14.6 lbf	2–12mm	146g
3727	GRZ-20-16-EP	1-415-61-00	\$275.00	Coated jaws	14.6 lbf	2–12mm	146g
3664	GRZ-20-16-PK	1-415-12-00	\$204.00	V-tooth jaws	14.6 lbf	1–12mm	146g

\*Note: Closing force at 87psi (6bar)

- Padded are silicone free, non-marking polyurethane.
- Short term contact for padded jaws is 230°F.
- Coated jaws have a high strength elastomere polyurethane.
- 194°F (266°F short term) max. temperature for coated jaws.