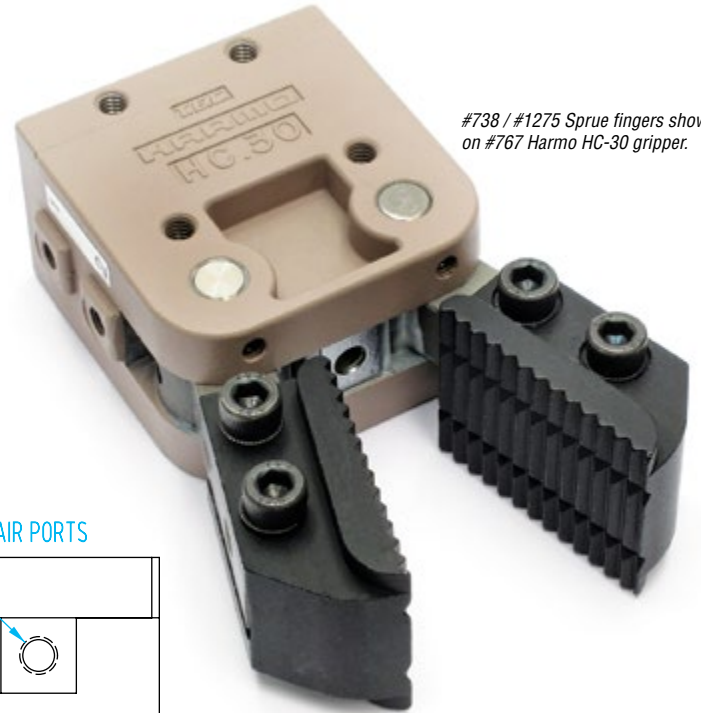
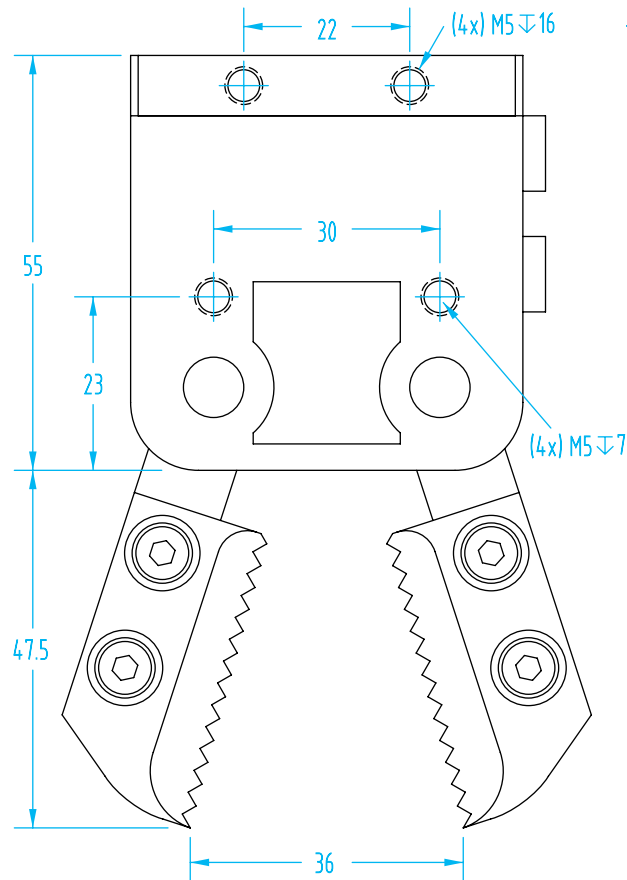
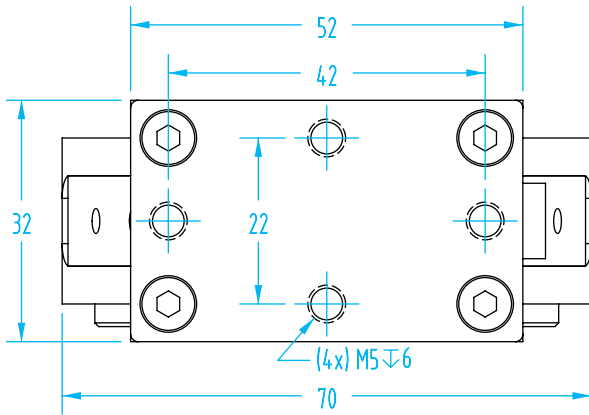


## Harmo Sprue Grippers – Size 30

(Dimensioned drawings shown full scale)



#738 / #1275 Sprue fingers shown on #767 Harmo HC-30 gripper.



#738 - Sprue fingers shown at a reduced size.

### Gripper Body Only - (Order Fingers Separately)

Quick#	Part#	Price	Gripper Size	Jaw Style	Body Material	Jaw Stroke	Force at 35mm Tooling Length*	Weight
709	GSG-HC30-BD	\$280.01	30	Normally Open	Die Cast	58°	28.0 lbf	450g
713	GSG-HC30-CD	\$280.01		Normally Closed		58°	34.0 lbf	450g
767	GSG-HC30-AD	\$280.01		Double Acting		58°	31.0 lbf	445g

\*Note: Forces listed are for Closing Force when compressed air is supplied at 87psi. Tooling length is measured from jaw pivot point.

Note: Angular Grippers with same Gripper Body found on page 461

### Sprue Fingers - Tool Steel

Quick#	Part#	Gripper Size	Sprue $\sigma$	Price / set
1275	GSG-HC30-STF	30	5–13mm	\$49.15

*Includes fasteners.*

### Sprue Fingers - Hardcoat Anodized Aluminum

Quick#	Part#	Gripper Size	Sprue $\sigma$	Price / set
738	GSG-HC30-F	30	5–13mm	\$48.15

*Includes fasteners.*