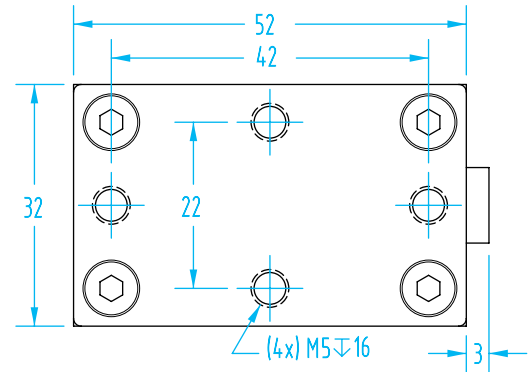
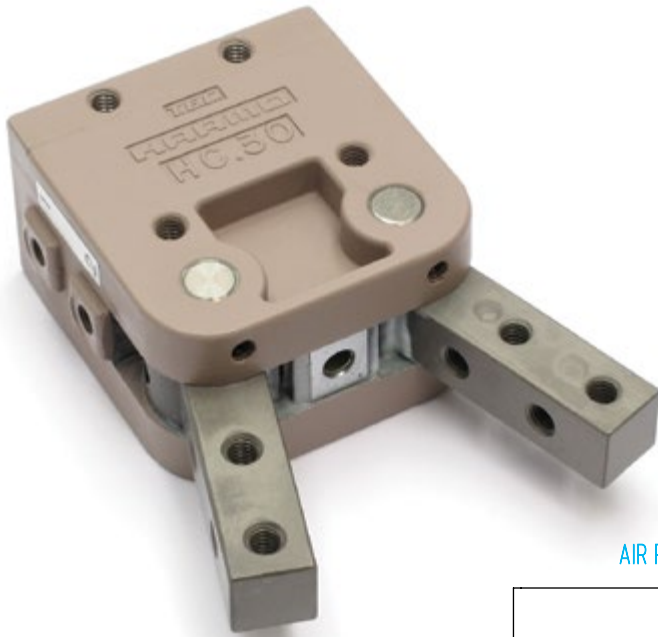
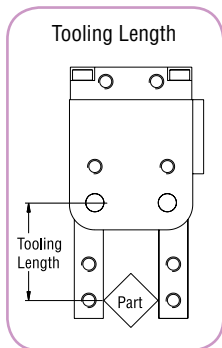
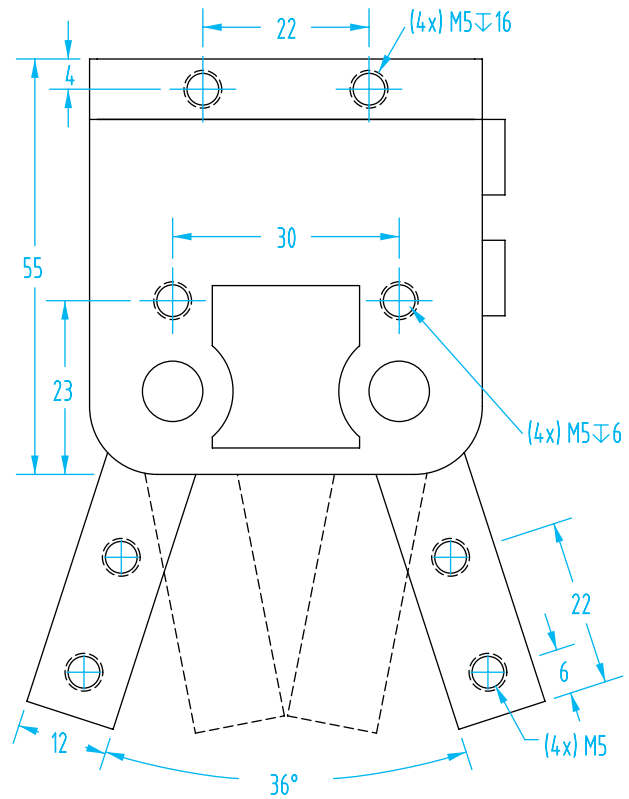
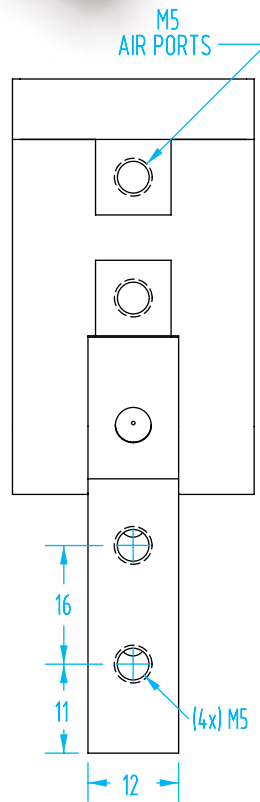


Harmo Angular Grippers – Size 30

(Dimensioned drawings shown full scale)



- Elliptical piston provides high grip force to size ratio.
- Single-acting models can also be used as double acting.
- Internal spring provides reset.
- Field repairable, and for those who have older Harmo grippers, we offer rebuild kits.



Quick#	Part#	Price	Gripper Size	Jaw Style	Body Material	lbs. Force at Tooling Length:*			Weight
						20mm	25mm	35mm	
709	GSG-HC30-BD	\$280.01	30	Normally Open	Die Cast	49.0 lbf	39.0 lbf	28.0 lbf	450g
713	GSG-HC30-CD	\$280.01		Normally Closed		59.0 lbf	48.0 lbf	34.0 lbf	450g
767	GSG-HC30-AD	\$280.01		Double Acting		54.0 lbf	43.0 lbf	31.0 lbf	445g

*Note: Forces listed are for Closing Force when compressed air is supplied at 87psi. Tooling length is measured from jaw pivot point.