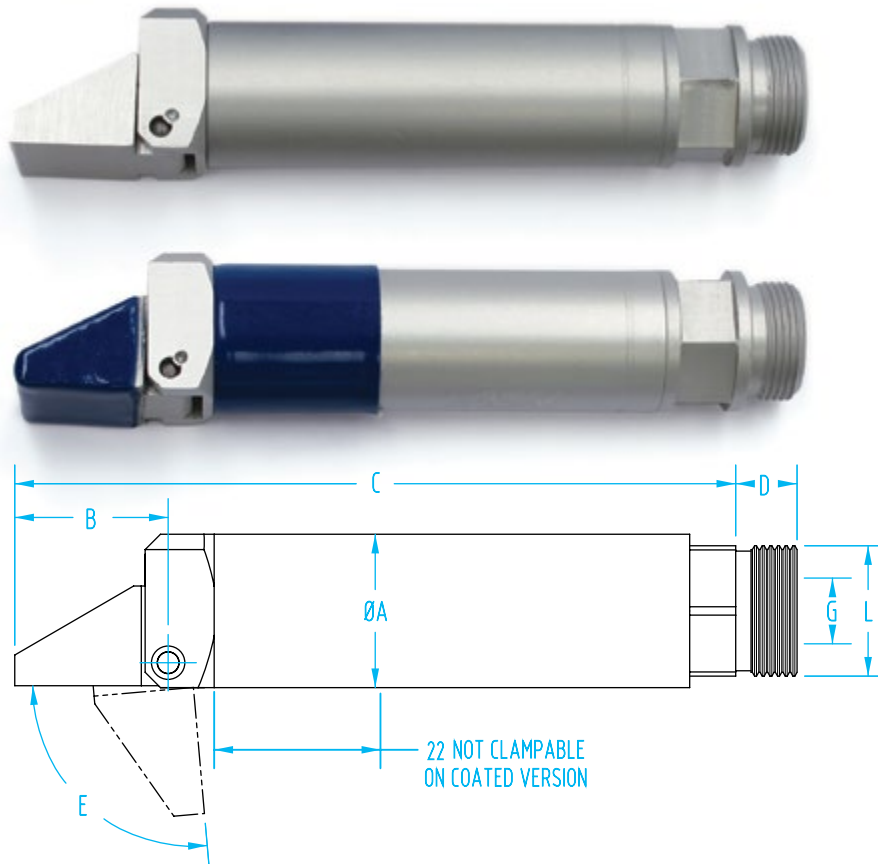


95° Gripper Fingers (Standard type)



95° Gripper Finger

Quick#	Part#	>ASS<#	Price	ØA	B	C	D	E	G	L	Closing force*	Wt.
3636	GRF-14-95-VA	1-451-03-00	\$229.00	14	15	64	6	95°	M5	M12x1	3 lbf	23g
3320	GRF20-95V	1-450-06-00-1	\$260.00	20	20	95	8	95°	G1/8"	M17x1	10 lbf	58g
3321	GRF30-95V	1-450-23-00-1	\$275.50	30	29	137	11	95°	G1/8"	M27x1	31 lbf	193g

*at 87 psi

95° Gripper Finger with high strength elastomer polyurethane coated jaw

Quick#	Part#	>ASS<#	Price	ØA	B	C	D	E	G	L	Closing force*	Wt.
3732	GRF-14-95-VA-EP	1-451-04-00	\$250.00	14	15	64	6	95°	M5	M12x1	3 lbf	22g
3728	GRF20-95EP	1-450-07-00-1	\$299.50	20	20	95	8	95°	G1/8"	M17x1	10 lbf	58.1g
3731	GRF-30-95-VA-EP	1-450-22-00-1	\$375.00	30	29	137	11	95°	G1/8"	M27x1	31 lbf	202g

Maximum continuous temperature for these gripper fingers is 194°F with a short term max temp of 266°F.

*at 87 psi

NEW

95° Gripper Finger Application

