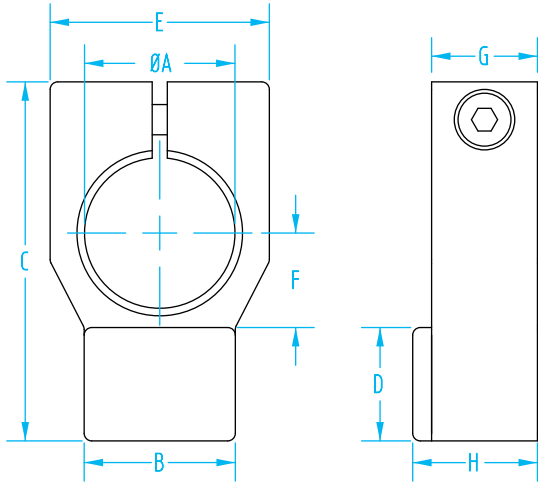


Gripper Finger Accessories

If you need a custom designed finger guide, see our 3D printing section on page 96 or call EMI Engineering!



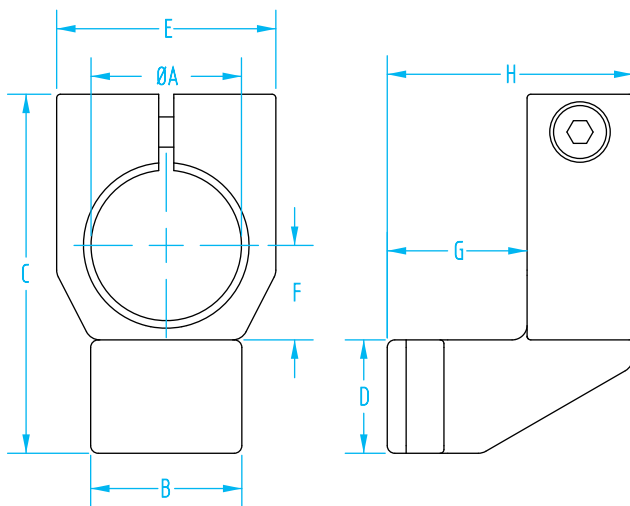
NEW



ANF Nylon Finger Guides with HNBR Pads

Quick#	Part#	Price	Pad Q#	ØA	B	C	D	E	F	G	H	Wt.
2979	ANF14N-P	\$18.00	7359	14	14	35	11	14	8	10	12.5	9g
2980	ANF20N-P	\$19.40	7360	20	20	47.5	15	29	12.5	14	16.5	15g
2981	ANF30N-P	\$30.40	7361	30	30	64	20	38	20	19	22	31g
2982	ANFE14N-P	\$19.85	7360	14	15	55	20	25	19	10	12.5	18g
2983	ANFE20N-P	\$28.80	7361	20	20	67	30	32	17	14	17	27g
2984	ANFE30N-P	\$34.90	7361	30	30	84	20	42	40	19	22	47g

Note: Guides include HNBR pads but are listed here in case they need to be replaced.



NEW



ANSE Nylon Finger Guides with HNBR Pads

Quick#	Part#	Price	Pad Q#	ØA	B	C	D	E	F	G	H	Wt.
2976	ANSE14N-P	\$18.80	7359	14	14	36	11	24	9	16	30	13g
2977	ANSE20N-P	\$19.80	7360	20	20	47.5	15	29	12.5	18.5	32.5	13g
2978	ANSE30N-P	\$33.25	7361	30	30	64	20	38	20	27	46	31g

Note: Guides include HNBR pads but are listed here in case they need to be replaced.