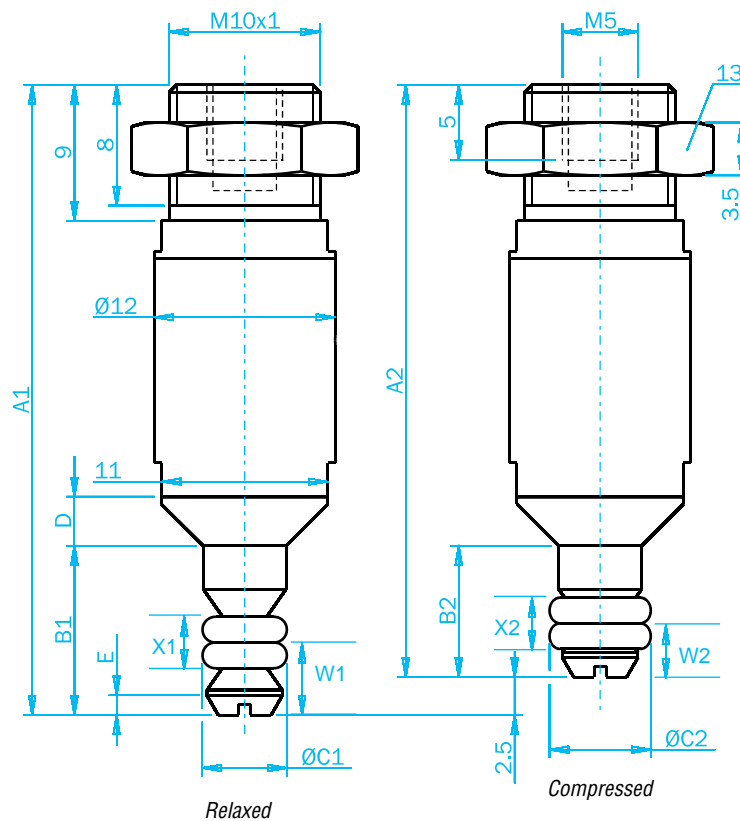


## Expansion Micro Grippers

(Dimensioned drawings scaled 2:1)

- Upward movement
- Grip diameter from Ø4.5 to Ø8.7mm.
- Silicone expander has a max. temperature of 392°F.
- NBR expander has a max. temperature of 212°F.
- Maximum operating pressure: 87psi.
- Replacement expanders available.
- Patented



### Expansion Micro Grippers

Quick#	Part#	Material	Price	Wt.	A1	A2	B1	B2	C1 MIN	C2 MAX	X1	X2	W1	W2	D	E
6637	IFU04S01RT	Silicone	\$112.77	7g	40.9	38.4	9.9	7.4	Ø4.5	Ø5.4	3	2.7	4	2.7	3.75x45°	1x60°
6636	IFU04N03RT	NBR	\$112.77													
6639	IFU05S01RT	Silicone	\$112.77	7g	41.7	39.2	11.2	8.7	Ø5.6	Ø6.7	3.4	3.4	4.8	3.6	3.25x45°	1.3x60°
6638	IFU05N03RT	NBR	\$112.77													
6641	IFU06S01RT	Silicone	\$112.77	8g	42	39.5	11.5	9	Ø6.6	Ø7.6	3.6	3.4	5.1	3.8	2.75x45°	1.4x60°
6640	IFU06N03RT	NBR	\$112.77													
6643	IFU07S01RT	Silicone	\$112.77	9g	42	39.5	11.5	9	Ø7.6	Ø8.7	3.6	3.4	5.1	3.9	2.4x45°	1.5x60°
6642	IFU07N03RT	NBR	\$112.77													

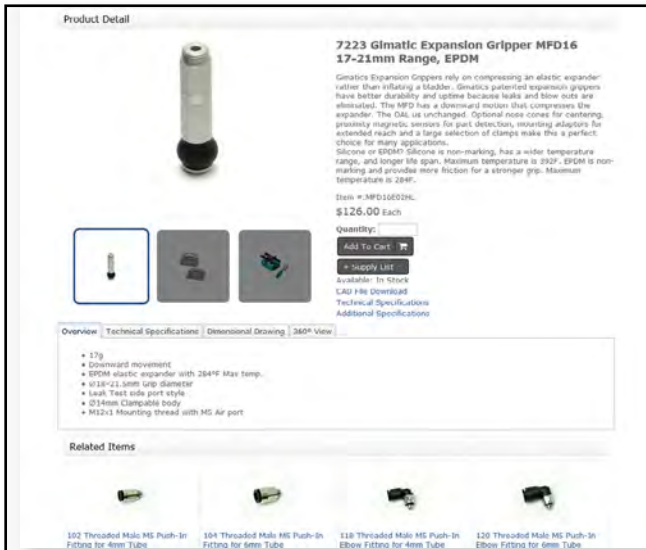
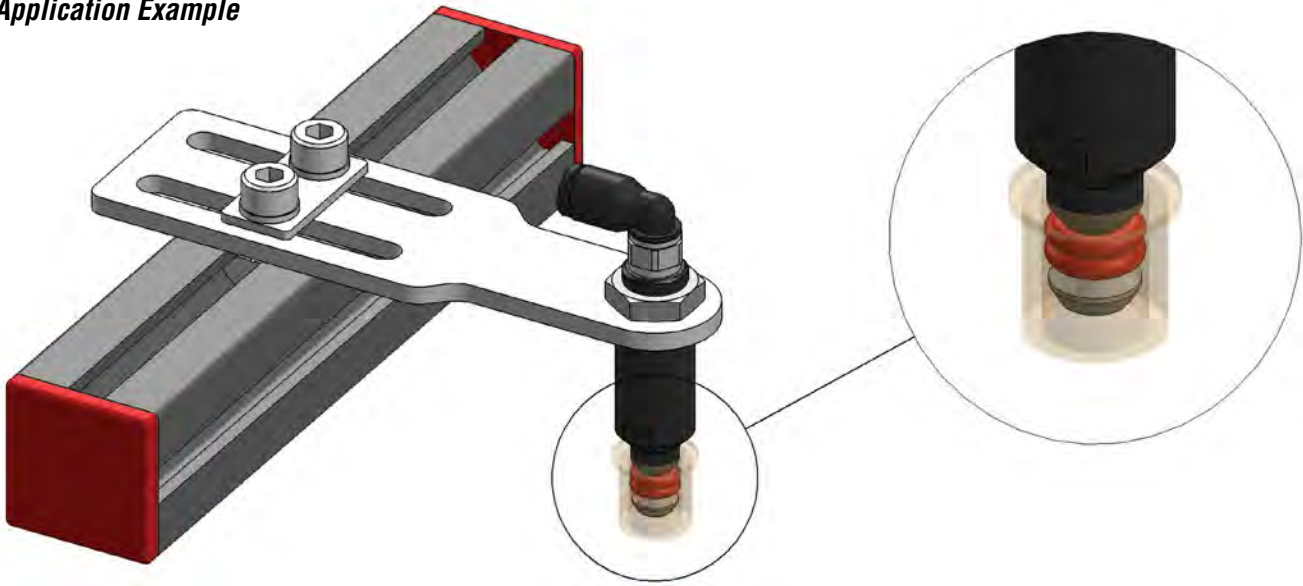
**Expansion Micro Grippers**

Replacement Rings (priced per pair)

Quick#	Part#	For:	Material	Price
6943	IF04S01	IFU04S01RT	Silicone	\$4.50
6944	IF04N03	IFU04N03RT	NBR	\$4.50
6945	IF05S01	IFU05S01RT	Silicone	\$4.50
6946	IF05N03	IFU05N03RT	NBR	\$4.50
6947	IF06S01	IFU06S01RT	Silicone	\$4.50
6948	IF06N03	IFU06N03RT	NBR	\$4.50
6949	IF07S01	IFU07S01RT	Silicone	\$4.50
6950	IF07N03	IFU07N03RT	NBR	\$4.50



**Application Example**



**New online product pages have all the information you need!**

- Quickly sort categories
- Additional photos
- CAD file downloads
- Pdf links
- Dimensional drawings
- Related items
- Replacement parts

**Easy online ordering!**

- Track orders
- Create supply lists
- Export Purchase Orders

