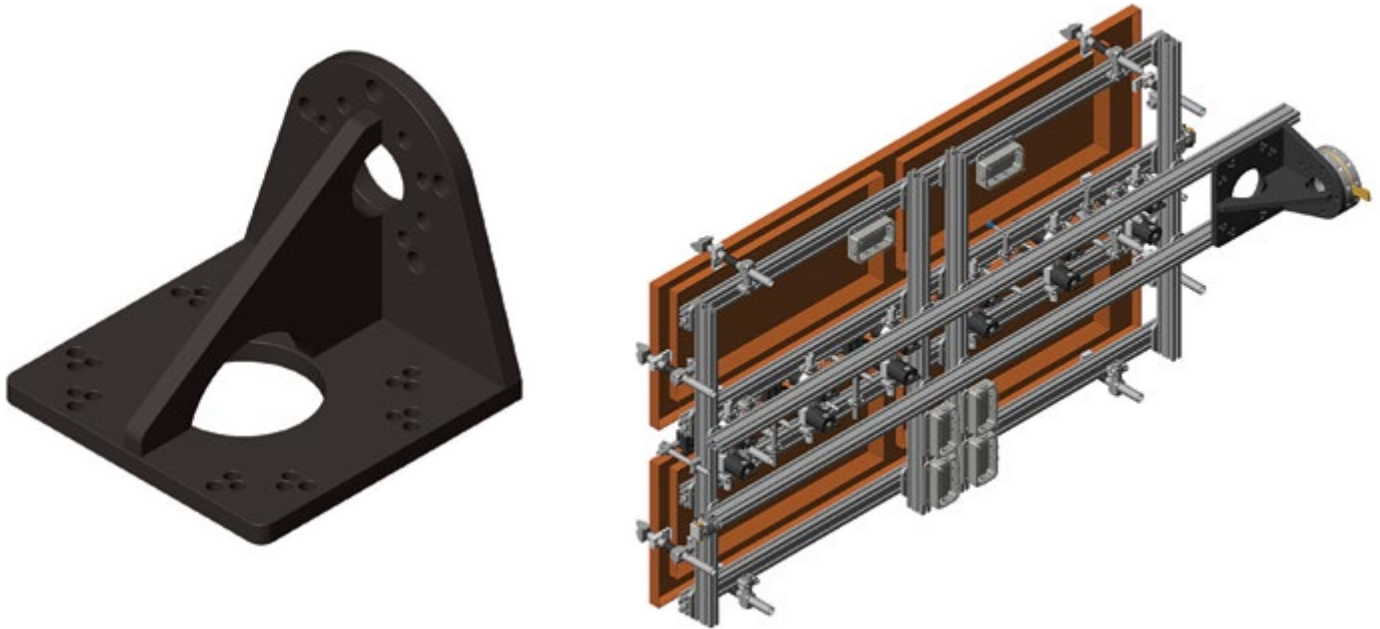


## 6-Axis Robot Quick Changer Adaptor

(Dimensioned drawings shown half scale)

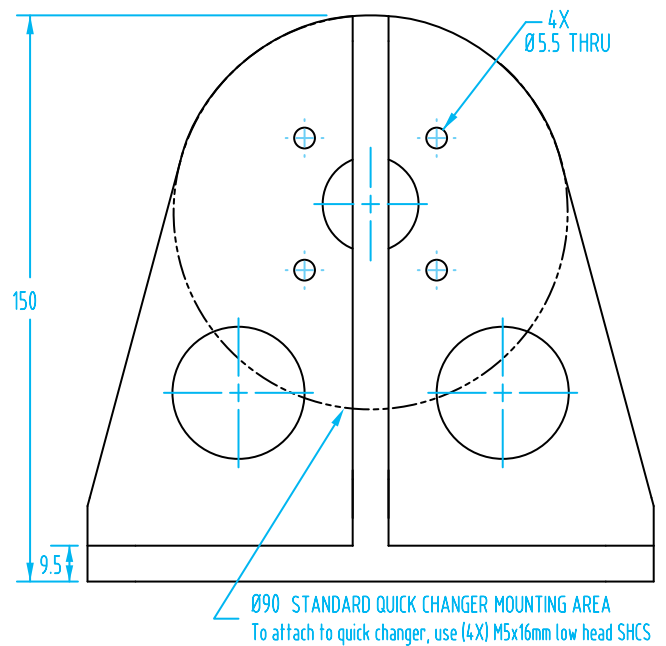
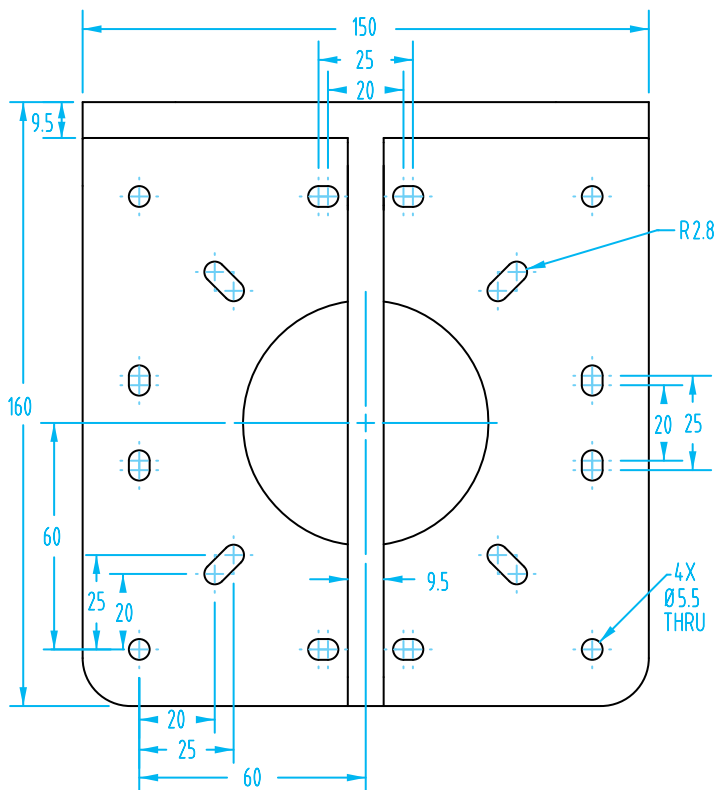
Fastens to Quick Changer for easy Mounting of Gimatic, >ASS<, and 80/20 Profiles



6-Axis Robot Adaptor Bracket

Quick#	Part#	Price	Quick Changer	Weight
1899	GSC-QCAP-L90SM	\$325.00	Standard (90mm)	1135g
1871	GSC-QCAP-L90	\$375.00	Large (150mm)	1758.5g

### #1899



6-Axis Robot Quick Changer Adaptor

#1871

(Dimensioned drawings shown half scale)

