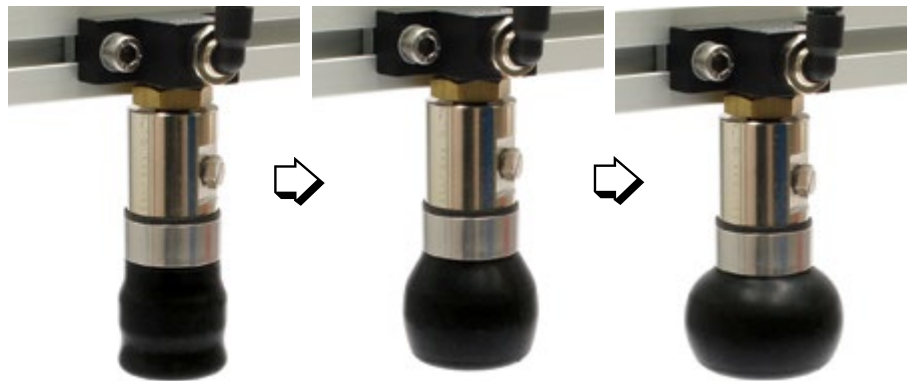


ID Gripping Air Hands

Inflating Air Hands for ID Gripping

Non-marring Air Hands provide an alternative to vacuum pads and grippers. Air Hands gently grip the inside diameter of a part by using its inflating neoprene rubber or silicone bladder. The Air Hand conforms to the injection molded part's diameter, unlike using grippers that require custom made fingers. And because the Air Hand conforms to the entire ID of the part, less pressure is required to grip and hold the part, thereby reducing chance of deforming or damaging your part.

The Air Hands' maximum inflating pressures are low and therefore require a regulator to be used. Also, because of the neoprene rubber and silicone materials, it is recommended that dry air is used.



1. Deflated Air Hand fits inside the part.

2. The bladder inflates, gently conforming to the shape of the part.

3. Surface pressure from the inflated bladder provides a steady, uniform grip force over the entire interior diameter of the part.

Life Expectancy

Life expectancy for the neoprene style may be 250,000 to 500,000 cycles. Life expectancy for the silicone style is closer to 100,000 cycles.

A critical variable affecting life expectancy is the presence of abrasion and sharp edges of a molded part i.e.; the smoother the finish, the longer the life. For these reasons, the actual life cycle may exceed or fall short of these published figures depending on a particular application.

Life expectancy is similar or slightly longer for the OD style as compared to the ID style.

- Smaller Air Hands are very lightweight and can be used effectively in multi-cavity molds.
- Larger Air Hands, when used in multi-cavity molds, can significantly affect the overall EOAT weight.
- The amount of inflation and grip force can be adjusted as needed with the use of a pressure regulator (See page 1010)
- Choose silicone when high-temperature and non-marking is most important, Neoprene when part temperature is lower and long-life is most important.
- To prolong use, dry air is recommended.
- Call our EOAT engineering department for specific design assistance.



***Note after 3/27/2017 our Air Hand Reconditioning Service is no longer available.**

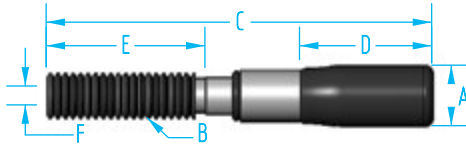
ID Gripping Air Hands

Air Hands Dimensions

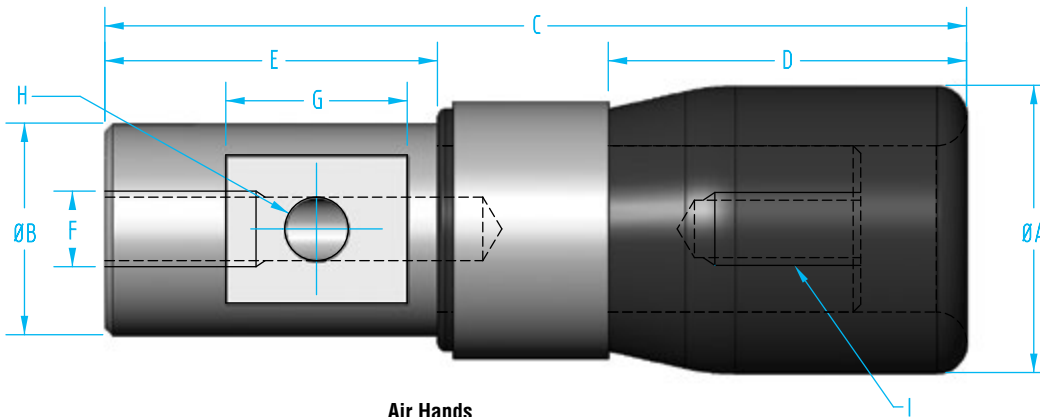
Quick#	Part Range ØID	ØA (Deflated)	B	C	D	E	F	G	H	I
1300	8.5-10	8	M6	51	17.5	21	M3	-	-	-
1301	10-12	9.5	M6	51	17.5	21	M3	-	-	-
1302	12-17	11	M8	51	17.5	21	M5	-	-	-
1303	16-21	14	10	52	21	22	M5	12	M5	8-32
1304	21-27	19	14	56	22	22	M5	12	M5	10-24
1305	24-32	22	17	56	22	22	M5	12	M5	10-24
1306	28-36	25	19	55	22	22	M5	12	M5	10-24
1307	30-44	27	22	64	28	25	M5	14	M5	10-24
1308	32-52	29	25	75	34	30	M5	15	M5	1/4-20
1309	45-65	41	34	71	42	17.5	M6	-	PT 1/8 (R1/8)	1/4-20
1310	58-85	51	44	90	52	26	M6	18	M6*	1/4-20
1311	70-105	63	54	101	53	35	M6	20	M6*	1/4-20
1312	21-27	19	14	56	22	22	M5	12	M5	10-24
1313	24-32	22	17	56	22	22	M5	12	M5	10-24
1314	28-36	25	19	55	22	22	M5	12	M5	10-24
1315	30-44	27	22	64	28	25	M5	14	M5	10-24
1316	32-52	29	25	75	34	30	M5	15	M5	1/4-20
1318	45-65	41	34	71	42	17.5	M6	-	PT 1/8 (R1/8)	1/4-20

**Note: If you need small diameter silicone Air Hands, order a slightly undersized neoprene style, and fit the silicone surgical tubing over it.*

Models: #1300-1302



Models: #1303-1318



Air Hands

Quick#	Part#	Price	Material	Part Range ØID	ØA (Deflated)	Maximum Restricted Pressure	Maximum Unrestricted Pressure	Wt.
1300	GSG-IAH-10N	\$318.76	Neoprene (up to 165°F)	8.5-10	8	55psi	25psi	8g
1301	GSG-IAH-12N	\$308.96		10-12	9.5	55psi	25psi	12g
1302	GSG-IAH-17N	\$297.82		12-17	11	55psi	25psi	17g
1303	GSG-IAH-21N	\$139.96		16-21	14	55psi	25psi	28g
1304	GSG-IAH-27N	\$153.58		21-27	19	70psi	35psi	60g
1305	GSG-IAH-32N	\$161.28		24-32	22	70psi	35psi	85g
1306	GSG-IAH-36N	\$171.10		28-36	25	70psi	35psi	105g
1307	GSG-IAH-44N	\$186.24		30-44	27	70psi	35psi	160g
1308	GSG-IAH-52N	\$210.74		32-52	29	70psi	35psi	245g
1309	GSG-IAH-65N	\$420.46		45-65	41	70psi	35psi	180g
1310	GSG-IAH-85N	\$473.18		58-85	51	70psi	35psi	370g
1311	GSG-IAH-105N	\$508.80		70-105	63	70psi	35psi	610g
1312	GSG-IAH-25S [†]	\$213.94		Silicone (up to 320°F)	21-27	19	25psi	15psi
1313	GSG-IAH-30S	\$228.36	24-32		22	25psi	15psi	85g
1314	GSG-IAH-35S	\$252.70	28-36		25	25psi	15psi	105g
1315	GSG-IAH-40S	\$281.82	30-44		27	25psi	15psi	160g
1316	GSG-IAH-42S	\$322.92	32-52		29	25psi	15psi	245g
1318	GSG-IAH-58S	\$450.76	45-65		41	25psi	15psi	180g

Fittings Available on page 543



See page 1010 for pressure regulators

