

## >ASS< Needle Grippers

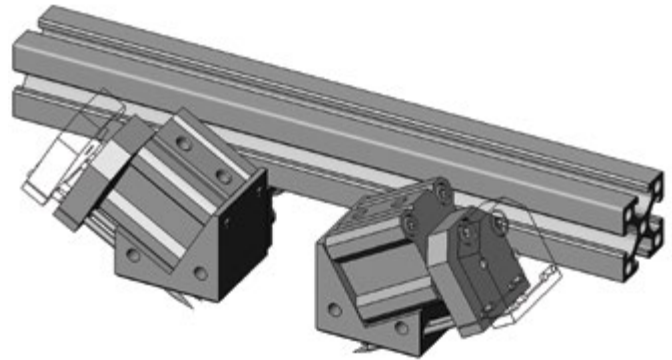
- Features 6 needles for secure grip of fabrics.
- Needles penetrate over cross and stretch the fabric for a more secure grip.
- Independent needle positioning and stroke adjustment.
- Double acting

### Needle Gripper with 6 Needles

Quick#	Part#	>ASS< #	Price	Needle Depth	Air Connection	Wt.
3484	NGR-12-6	1-460-08-00	\$555.00	0-4mm	M5	190g
<b>37mm Replacement Needles - (1 piece)</b>						
3408	NEEDLE-37	1-460-06-09	\$4.90			



- Suitable for textile, cloth, carpet or any other material that can be penetrated.
- Designed for installation on X-Profile.
- When used in pairs, the grippers should be facing opposite directions.
- Mounting bracket included.
- Double acting (each unit)



### Needle Gripper (1 unit)

Quick#	Part#	>ASS< #	Price	Needle Depth	Air Connection	Wt.
3535	NGR-X-16-10	1-460-03-00	\$215.00	0-5mm	M5	150.3g
<b>50mm Replacement Needles - (1 piece)</b>						
3445	NEEDLE-50	1-460-03-06	\$5.00			

- Suitable for textile, cloth, carpet or any other material that can be penetrated.
- Able to combine many units into a series
- 6 PTFE coated needles are stepless adjustable and working position can be monitored with optional sensors.
- Double acting

**NEW**

### Slim Needle Gripper

Quick#	Part#	>ASS< #	Price	Needle Depth	Air Connection	Wt.
3768	NGR-12-6-DS-A	1-460-70-00	\$554.50	0-5mm	M4	241g
<b>Optional Sensor</b>						
3809	MFS-T2-3-7	1-808-30-00	\$69.00	C-Slot with 3m Lead & M8 Connection		



Visit [www.EMICorp.com](http://www.EMICorp.com) for dimensional drawings