

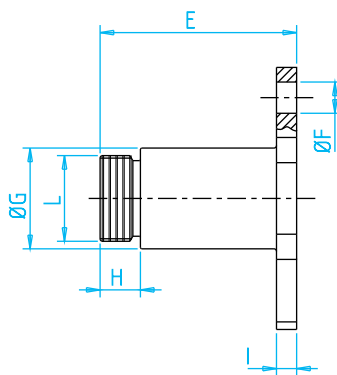
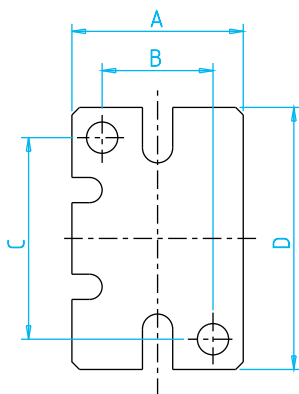
## Aluminum Mounting Brackets



Mounting Brackets for Gimatic GS / GW and SMC MHZ2 / MHC2 Grippers

Quick#	Part#	Price	For gripper	Wt.
7317	MFI-A321	\$25.55	__-10 & GX-16S	8g
7318	MFI-A322	\$27.92	__-16	18g
7319	MFI-A323	\$35.60	__-20	29g
7320	MFI-A324	\$40.49	__-25	57g

*Includes fasteners.*



Quick#	7317	7318	7319	7320
For:	__-10	__-16	__-20	__-25
A	17.5	24	28	34
B	12	15	18	22
C	18	22	32	40
D	23.5	31	42	52
E	21	26.5	30	39
F	Ø3.1	Ø4.1	Ø5.2	Ø6.2
G	Ø10	Ø14	Ø14	Ø20
H	5	6	6	8
I	2	2.5	4	4
L	M8x1	M12x1	M12x1	M17x1

