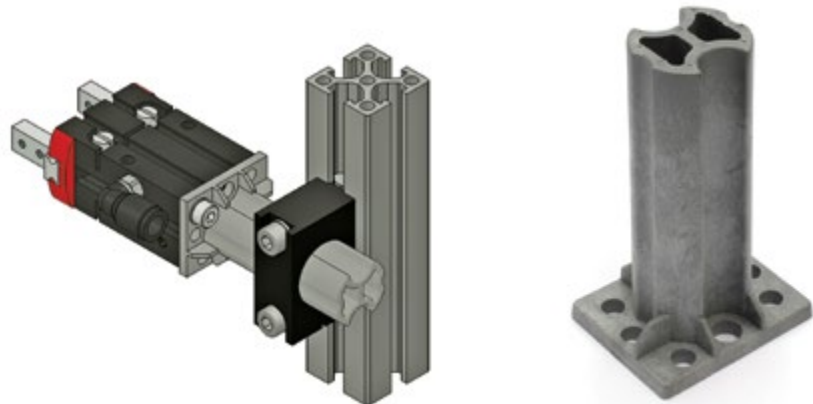
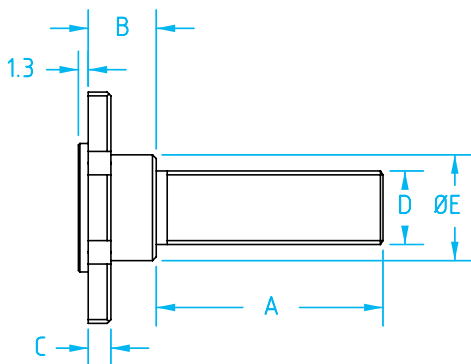
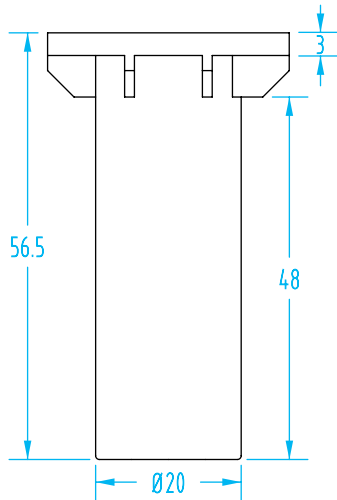
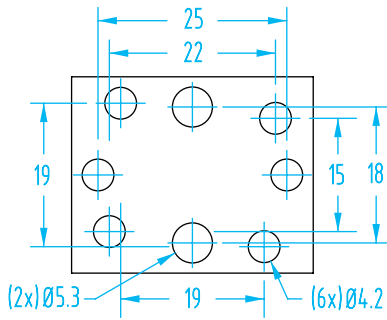


Composite Mounting Brackets

For use with Gimatic and SMC

(Dimensioned drawings shown full scale)



Composite Mounting Brackets for Compact Grippers

Quick#	Part#	Price	For gripper	Wt.
6375	MFP-A01	\$3.30	Gimatic: GS-16, GW-16, SMC: MHZ2-16, MHC2-16	26g

Order fasteners separately, see page 1070.



Mounting Brackets for Gimatic GS- and GW-; and SMC MHZ2- and MHC2- Grippers

Quick#	Part#	Price	For gripper	A	B	C	D	E	Wt.
1918	GMB-GSGW-10	\$31.00	__-10	25	8	3	G1/8"	10	9g
1919	GMB-GSGW-16	\$31.00	__-16	30	9	3	G1/8"	14	14g
1920	GMB-GSGW-20	\$31.00	__-20	30	10	3	G1/8"	20	21g
1921	GMB-GSGW-25	\$31.00	__-25	30	13	5	M15x1	20	43g

Includes fasteners.