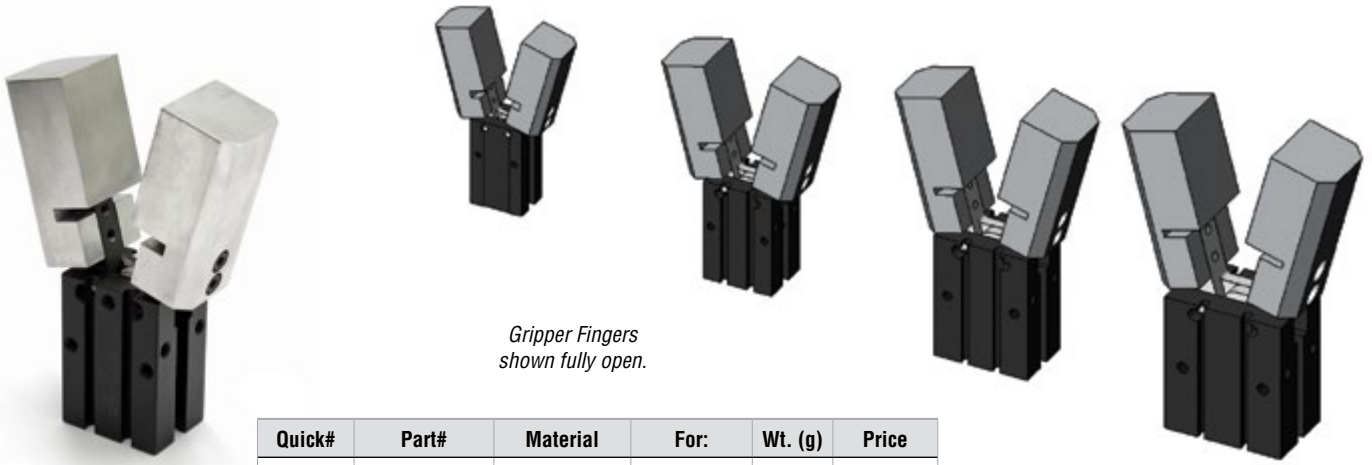


Finger Blanks for GW Grippers

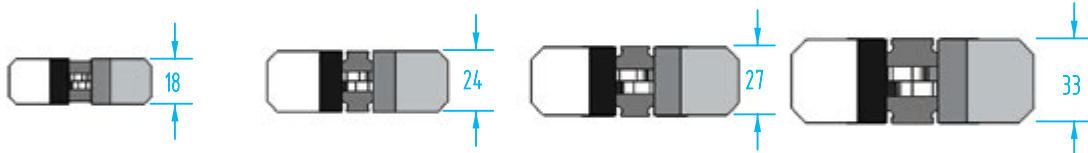


Gripper Fingers shown fully open.

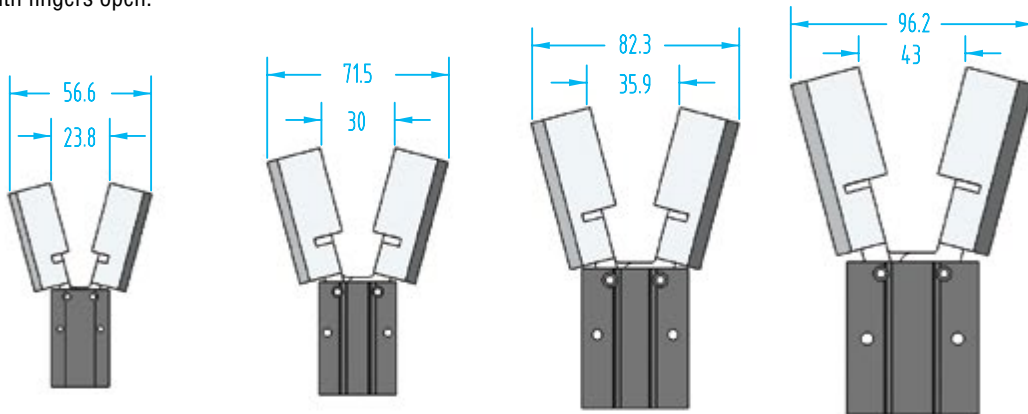
Quick#	Part#	Material	For:	Wt. (g)	Price
5892	GW-10-FBA	Aluminum	GW-10 & MHC2-10	57	\$19.30
7466	GW-10-FBN	Nylon	GW-10 & MHC2-10	3	\$19.30
5894	GW-16-FBA	Aluminum	GW-16 & MHC2-16	117	\$23.85
7467	GW-16-FBN	Nylon	GW-16 & MHC2-16	6	\$23.85
5896	GW-20-FBA	Aluminum	GW-20 & MHC2-20	170	\$27.20
7468	GW-20-FBN	Nylon	GW-20 & MHC2-20	9	\$27.20
5898	GW-25-FBA	Aluminum	GW-25 & MHC2-25	268	\$29.65
7469	GW-25-FBN	Nylon	GW-25 & MHC2-25	14	\$29.65

Note: Mounting Hardware Included

Machine these finger blanks to your part's shape or contact EOAT Engineering for help! For more information on custom finger blanks for your application visit our 3D printing section on page 96.



Dimensions with fingers open:



Dimensions with fingers closed:

