

Compact Angular Gripper – PN

- Double acting.
- High efficiency and reliability due to few moving parts.
- Two or three jaws.
- Optional magnetic sensors available.
- FDA-H1 food-grade grease.



Part#	PN-010-2	PN-010-3	PN-016-2	PN-016-3	PN-025-2	PN-025-3	PN-040-2	PN-040-3
Quick#	6250	6251	6252	6253	6254	6255	6256	6257
Price	\$156.00	\$225.00	\$200.00	\$269.00	\$353.00	\$459.00	\$455.00	\$557.00
Medium	Filtered, lubricated / non-lubricated compressed air							
Pressure range	30–116 psi							
Maximum gripper torque at 87 psi each jaw	1 in-lbf	1 in-lbf	3 in-lbf	5 in-lbf	15 in-lbf	22 in-lbf	38 in-lbf	58 in-lbf
Total gripper torque at 87 psi	3 in-lbf	3 in-lbf	10 in-lbf	10 in-lbf	44 in-lbf	44 in-lbf	115 in-lbf	115 in-lbf
Stroke (±1°)	2 x 19°	3 x 19°	2 x 19°	3 x 19°	2 x 19°	3 x 19°	2 x 19°	3 x 19°
Maximum repeatability tolerance	±0.1°							
Weight	32g	36g	105g	115g	340g	400g	910g	1040g


Use Quick#s for easy online ordering.

For more information visit: www.EMICorp.com

Compact Angular Gripper – PN

Sensors

The operating position can be checked by magnetic sensors fitted in the guides of the grippers body. These sensors detect the position by means of a magnet placed in the piston.



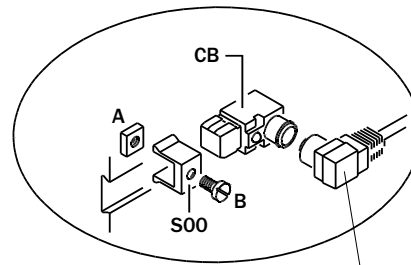
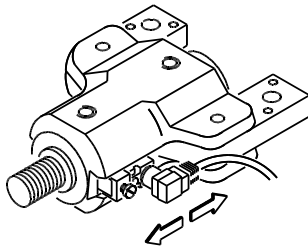
Quick#	Part#	Signal	Connection	Price	PN-010 & PN-016	PN-025 & PN-040
1792	SM3MR2-G	NPN	with cable & M8 Connector	\$28.40	<input checked="" type="checkbox"/>	<input type="checkbox"/>
6276	SM3NR2-G	PNP	with cable & M8 Connector*	\$28.40	<input checked="" type="checkbox"/>	<input type="checkbox"/>
6126	CB3N2-G	PNP	with M8 Connector	\$28.40	<input type="checkbox"/>	<input checked="" type="checkbox"/>
1794	CB3M2-G	NPN	with M8 Connector*	\$28.40	<input type="checkbox"/>	<input checked="" type="checkbox"/>
(*) Purchase extension cable #6591 separate for these sensors.						
6591	CFSM890325	3m 3-wire extension with M8 female connector		\$6.90		

For CB3.N mounting:

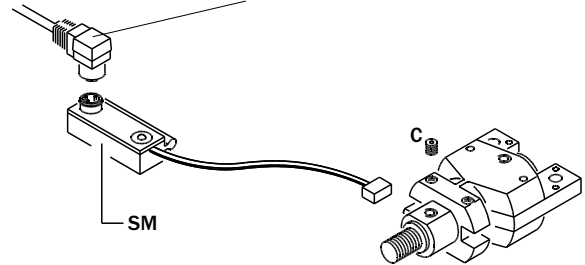
- 1- Insert the square nut (A) in its seat on the "S 00" bracket
- 2- Insert the bracket into the groove
- 3- Insert the sensor into the bracket
- 4- Run the sensor until the lamp is on
- 5- Lock the bracket with the screw (B) but don't over tighten it

For SM3NR mounting:

- 1- Insert the sensor in the groove till the working place
- 2- Tighten the grub screw (C) with care



Q#6591 / CFSM890325



Safety loads

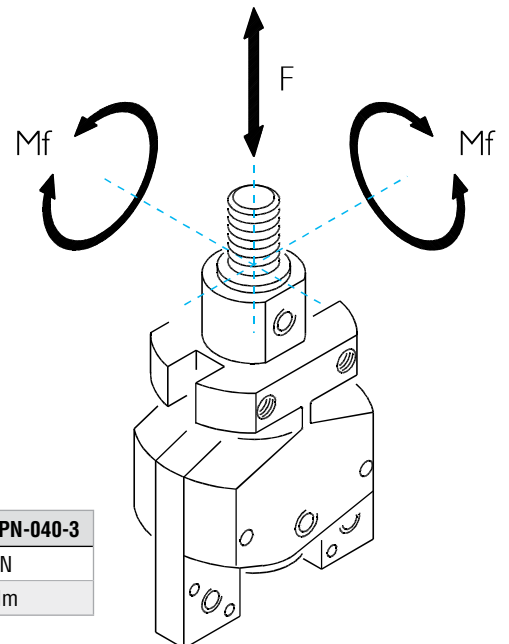
Please observe on the following table the maximum permitted values. Overloading can damage the gripper cause functioning troubles and endanger the safety of the operator.
F, Mf: are maximum permitted static loads.

Reference:

Force: N x 0.225 = lbf

Torque: Nm x 8.850 = in-lbf

	PN-010-2	PN-010-3	PN-016-2	PN-016-3	PN-025-2	PN-025-3	PN-040-2	PN-040-3
F	12N		23N		103N		191N	
Mf	0.2 Nm		0.4 Nm		4 Nm		10 Nm	



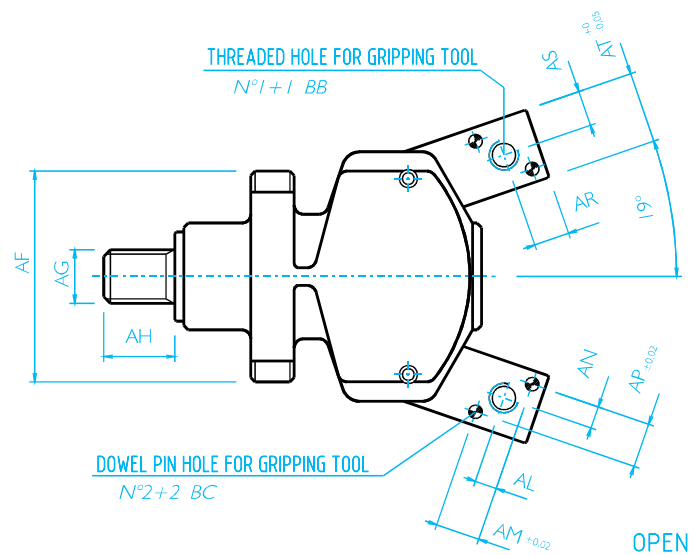
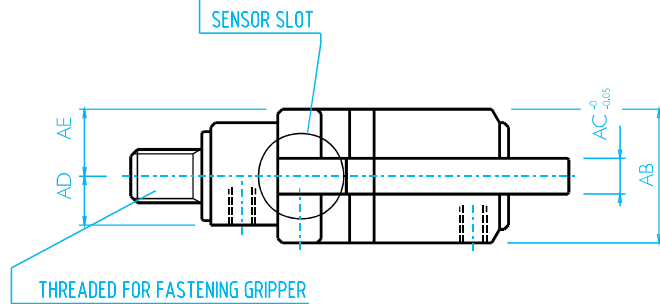
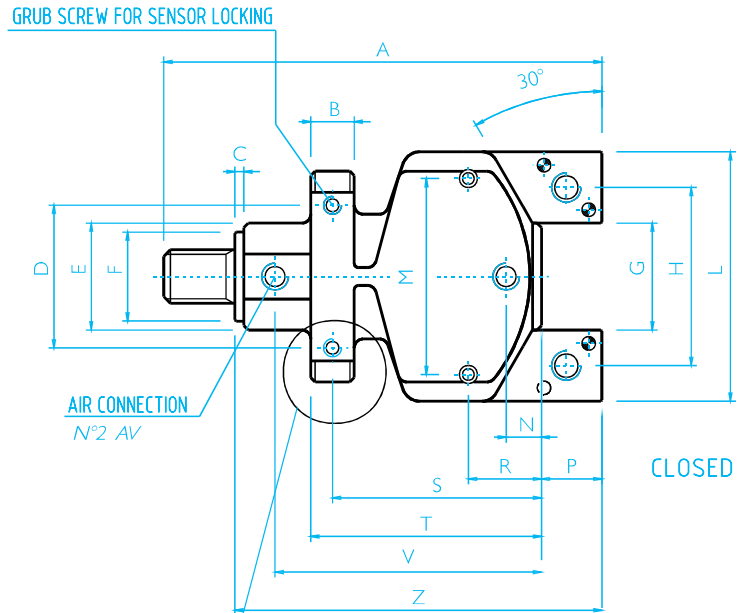
Compact Angular Gripper – PN

PN-010-2 & PN-016-2
#6250 & 6252



Two-Finger Style

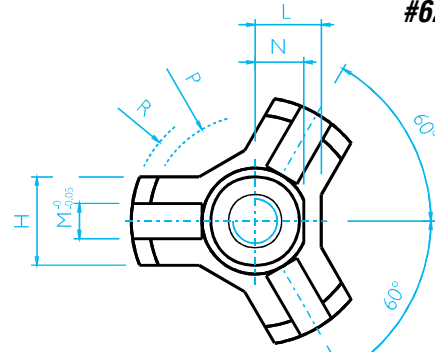
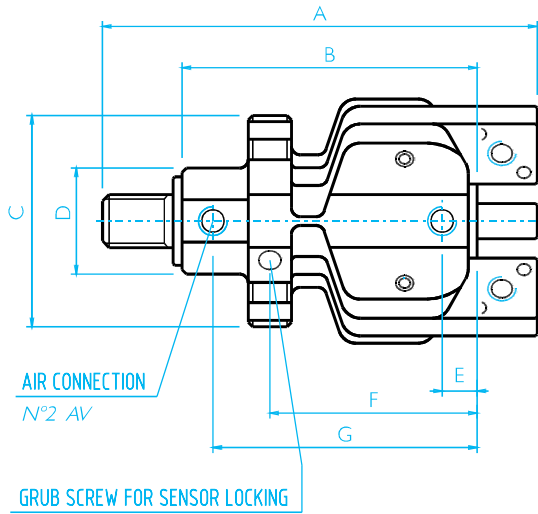
	PN-010-2	PN-016-2
A	49.2	70.5
B	4.9	8.5
C	1	1
D	16	24
E	ø12	ø20
F	ø10h8	ø10h8
G	12	20
H	20	32
L	28	44
M	22	35
N	3.9	7.2
P	6.8	9.8
R	8.2	12.2
S	23.4	35.2
T	25.9	37.2
V	29.9	42.7
Z	41.2	59
AB	15	22
AC	4	6
AD	5.5	9
AE	7.5	11
AF	ø24	ø34
AG	M6	M8
AH	8	11.5
AL	2.5	3.5
AM	5	7
AN	2.5	4
AP	5	8
AR	4	5.5
AS	4	6
AT	8	12
AV	M3	M5
BB	M3	M4
BC	ø1.5H8	ø2H8



Compact Angular Gripper – PN

PN-010-3 & PN-016-3

#6251 & #6253



Three-Finger Style

	PN-010-3	PN-016-3
A	49.2	70.5
B	33.4	48.2
C	ø24	ø34
D	ø12	ø20
E	3.9	7.2
F	23.4	35.2
G	29.9	42.7
H	10	15
L	7.5	11
M	4	6
N	5.5	9
P	ø24	ø34
R	ø28	ø44
S	4	5.5
T	11	17.5
V	4.9	8.5
Z	6.8	9.8
AB	8.2	12.2
AC	25.9	37.2
AD	4	6
AE	8	12
AF	14	22
AG	5	7
AH	2.5	3.5
AL	2.5	4
AM	5	8
AN	ø10h8	ø10h8
AP	M6	M8
AR	8	11.5
AS	9	12.5
AT	42.4	60.7
AV	M3	M5
BB	M3	M4
BC	ø1.5H8	ø2H8

