

Three-Jaw Parallel Self-Centering Gripper – TH

- Double acting with normally closed (-NC) or normally open (-NO) option.
- Three jaw stroke range from 2 to 16mm.
- Optional proximity magnetic sensors, see page 1004.
- Optional pusher bar to assist in part retention or release.

Optional Push Bar

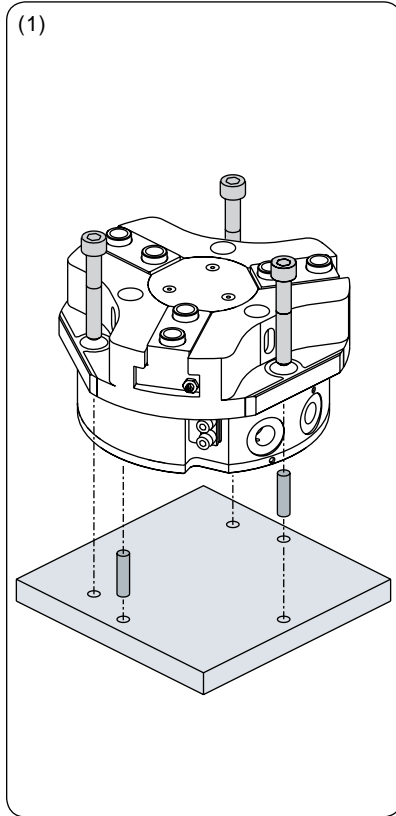
Quick#	Part#	Price	For Gripper
7530	TH27K	\$99.00	#7146
7531	TH33K	\$105.00	#7147 & #7148
7532	TH45K	\$111.00	#7149 & #7150
7533	TH54K	\$118.00	#7151 & #7152
7534	TH76K	\$129.00	#7153 & #7154
7535	TH96K	\$135.00	#7155 & #7156
7536	TH125K	\$147.00	#7157 & #7158



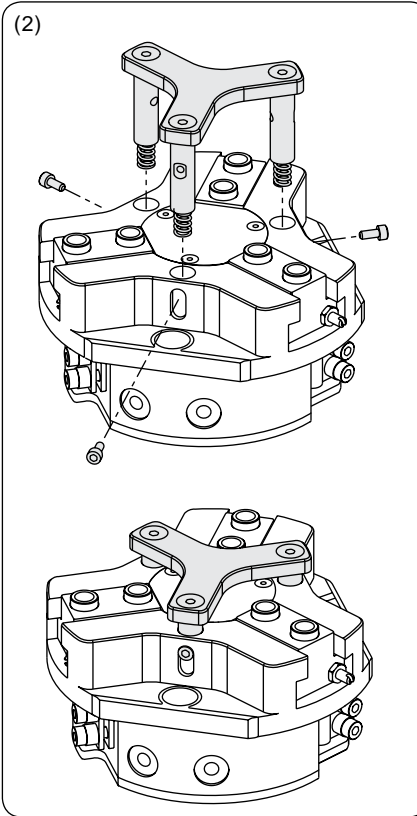
Part#	TH2725	TH3304	TH3302	TH4506	TH4503	TH5408	TH5404
Quick#	7146	7147	7148	7149	7150	7151	7152
Price	\$729.00	\$756.00	\$756.00	\$773.00	\$773.00	\$813.00	\$813.00
Medium	Filtered, lubricated / non-lubricated compressed air						
Operating pressure range	36–116 psi						
Total opening force at 87 psi	64 lbf	96 lbf	192 lbf	179 lbf	357 lbf	256 lbf	513 lbf
Total closing force at 87 psi	59 lbf	86 lbf	169 lbf	165 lbf	331 lbf	236 lbf	479 lbf
Stroke (±0.5mm)	3x2.5mm	3x4mm	3x2mm	3x6mm	3x3mm	3x8mm	3x4mm
Opening / closing time without load	0.02s	0.02s	0.02s	0.05s	0.05s	0.05s	0.05s
Repetition accuracy	0.02mm						
Mid-stroke detection capability	No					w/ Inductive sensor only	w/ Inductive sensor only
Mid-stroke detection capability with Gimatic PRO Sensors	Yes (see page 979)						
Weight	117g	237g	240g	430g	440g	760g	770g

For more information visit: www.EMICorp.com

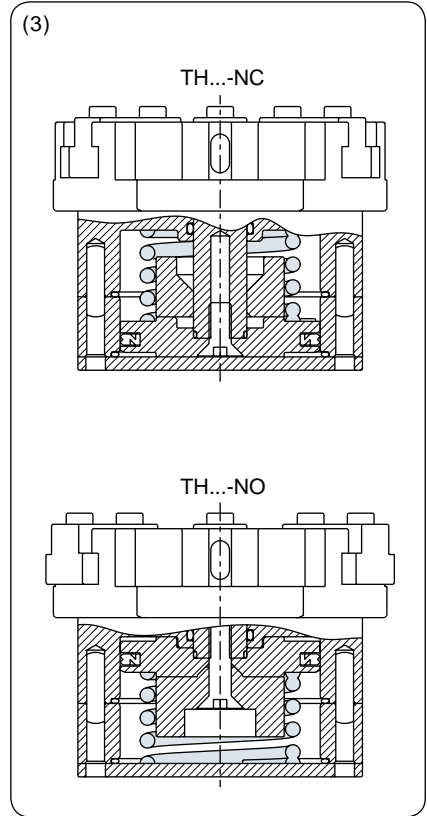
Three-Jaw Parallel Self-Centering Gripper – TH



(1) Possibility of front fastening through screws.



(2) This accessory is NOT included and can be installed to hold payload during the gripper release.



(3) Double acting with optional springs (normally closed or normally open).

Part#	TH7610	TH7605	TH9613	TH9606	TH12516	TH12508
Quick#	7153	7154	7155	7156	7157	7158
Price	\$910.00	\$910.00	\$1090.00	\$1090.00	\$1718.00	\$1718.00
Medium	Filtered, lubricated / non-lubricated compressed air					
Operating pressure range	36–116 psi					
Total opening force at 87 psi	513 lbf	1012 lbf	816 lbf	1767 lbf	1383 lbf	2745 lbf
Total closing force at 87 psi	486 lbf	964 lbf	782 lbf	1686 lbf	1268 lbf	2522 lbf
Stroke (±0.5mm)	3x10mm	3x5mm	3x13mm	3x6mm	3x16mm	3x8mm
Opening / closing time without load	0.20s	0.20s	0.20s	0.20s	0.30s	0.30s
Repetition accuracy	0.02mm					
Mid-stroke detection capability	w/ Magneto-resistive or Inductive	w/ Inductive sensor only	w/ Magneto-resistive or Inductive	w/ Inductive sensor only	w/ Magneto-resistive or Inductive	w/ Inductive sensor only
Mid-stroke detection capability with Gimatic PRO Sensors	Yes (see page 979)					
Weight	1420g	1430g	2450g	2490g	4920g	4990g