

Two-Jaw Self-Centering Parallel Gripper – PQ

- Single acting, can be NO or NC depending on finger configuration.
- Robust guidance
- Strokes from 8mm to 63mm.
- Optional proximity magnetic sensors, see page 1004.

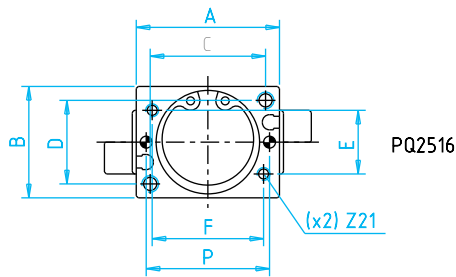


Part#	PQ1608	PQ2012	PQ2516	PQ3015	PQ3523	PQ4533	PQ5047	PQ6063
Quick#	7138	7139	7140	7141	7142	7143	7144	7145
Price	\$303.00	\$314.00	\$347.00	\$625.00	\$678.00	\$821.00	\$899.00	\$1121.00
Medium	Filtered, lubricated / non-lubricated compressed air							
Operating pressure range	50–116 psi							
Total gripping force at 87 psi	27 lbf	40 lbf	67 lbf	90 lbf	126 lbf	207 lbf	301 lbf	418 lbf
Stroke (± 0.5 mm)	8mm	12mm	16mm	15mm	23mm	33mm	47mm	63mm
Maximum working frequency	2Hz	2Hz	2Hz	2Hz	2Hz	1Hz	1Hz	1Hz
Repetition accuracy	0.02mm							
Mid-stroke detection capability	No	Yes, with use of magnetoresistive or inductive sensors						
Weight	63g	110g	200g	330g	610g	1270g	2430g	4900g

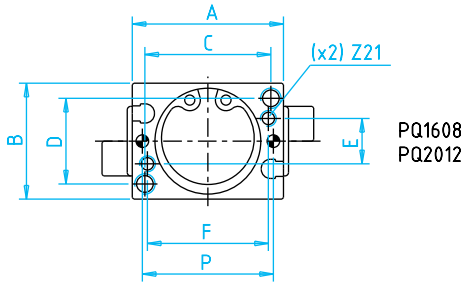
Use Quick#s for easy online ordering.

For more information visit: www.EMICorp.com

Two-Jaw Self-Centering Parallel Gripper – PQ

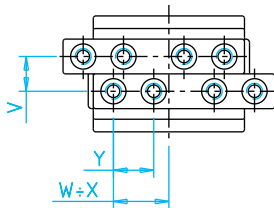
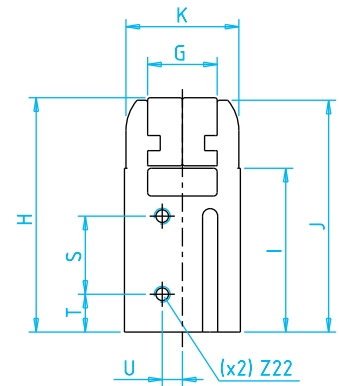
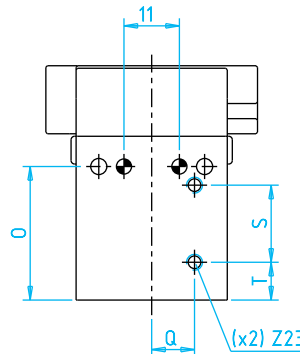
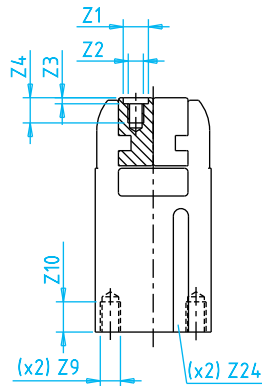
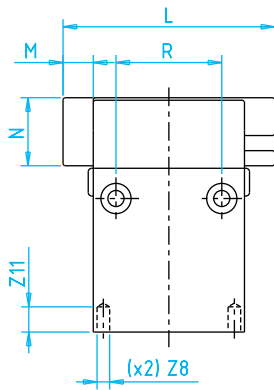
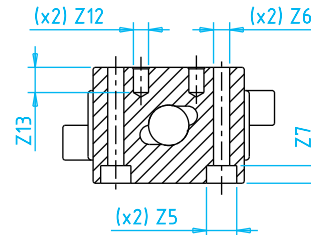


PQ2516



PQ1608
PQ2012

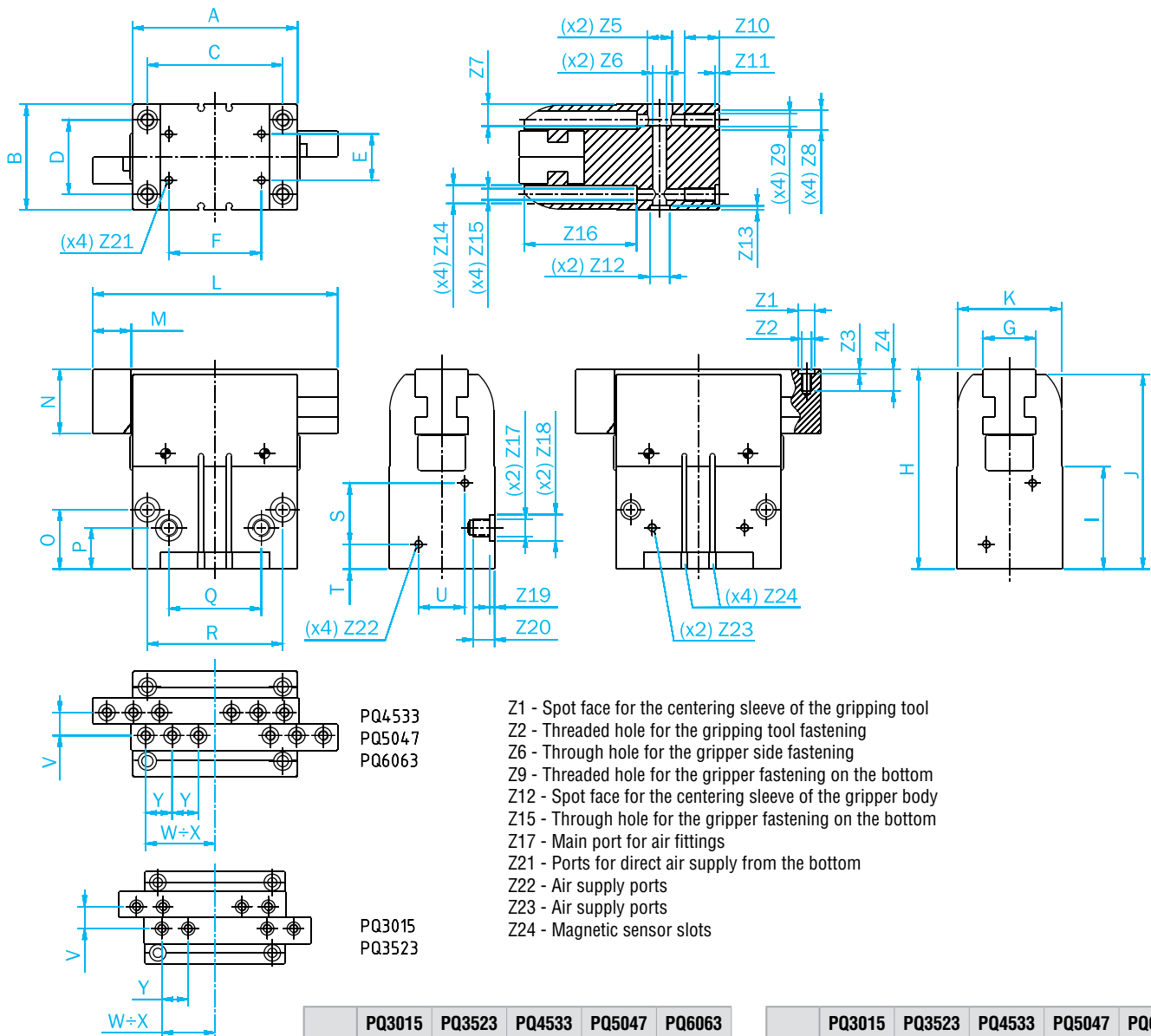
- Z1 - Spot face for the centering sleeve of the gripping tool
- Z2 - Threaded hole for the gripping tool fastening
- Z6 - Through hole for the gripper side fastening
- Z9 - Threaded hole for the gripper fastening on the bottom
- Z12 - Spot face for the centering sleeve of the gripper body
- Z15 - Through hole for the gripper fastening on the bottom
- Z17 - Main port for air fittings
- Z21 - Ports for direct air supply from the bottom
- Z22 - Air supply ports
- Z23 - Air supply ports
- Z24 - Magnetic sensor slots



	PQ1608	PQ2012	PQ2516
A	24	30	36
B	18	23	28
C	20	25	29
D	14	17	21
E	7	9	16
F	19.4	24	28
G	11	13.8	16
H	44	46.5	57
I	32.5	32.5	37.5
J	43.5	46	56
K	17.5	22.4	27
L	32	42	52
M	4	6	8
N	11	13.5	18
O	26	26.5	28.5
P	21	26	31
Q	7.5	8.5	11
R	17	21	24
S	13.5	15.3	16
T	7	7.5	8
U	3.7	4	8
V	5.5	6.9	8
W	13	17	21
X	9	11	13
Y	6	8	9

	PQ1608	PQ2012	PQ2516
Z1	5	5	6
Z2	M3	M3	M4
Z3	1.2	1.2	2.5
Z4	4	5	7.5
Z5	Ø5	Ø6	Ø6
Z6	Ø2.6	Ø3.2	Ø3.2
Z7	3	3.5	3.5
Z8	Ø2H7	Ø2.5H7	Ø3H7
Z9	M3	M4	M4
Z10	5	6	6
Z11	3	5	5
Z12	Ø2.5H7	Ø3H7	Ø3H7
Z13	3	5	5
Z14	M2.5	M3	M3
Z15	M3	M3	M5
Z16	M2.5	M3	M3
Z17	M5	M5	M5
Z18	-	-	-
Z19	-	-	-
Z20	5	5	5
Z21	M3	M4	M3
Z22	-	-	-
Z23	M5	M5	M5

Two-Jaw Self-Centering Parallel Gripper – PQ



PQ4533
PQ5047
PQ6063

PQ3015
PQ3523

- Z1 - Spot face for the centering sleeve of the gripping tool
- Z2 - Threaded hole for the gripping tool fastening
- Z6 - Through hole for the gripper side fastening
- Z9 - Threaded hole for the gripper fastening on the bottom
- Z12 - Spot face for the centering sleeve of the gripper body
- Z15 - Through hole for the gripper fastening on the bottom
- Z17 - Main port for air fittings
- Z21 - Ports for direct air supply from the bottom
- Z22 - Air supply ports
- Z23 - Air supply ports
- Z24 - Magnetic sensor slots

	PQ3015	PQ3523	PQ4533	PQ5047	PQ6063
A	50	64	80	100	125
B	38	42	50	64	80
C	42	52	66	82	100
D	27	32	38	45	56
E	20	18	26	28	34
F	28	36	44	56	70
G	20	24	28	32	42
H	55	70	93	121	156
I	30	38	45	62	85
J	53	68	90	118	153
K	37.6	41.6	49	63	79
L	65.5	87.5	118.5	148.5	191.5
M	7.5	11.5	16.5	23.5	31.5
N	18	22	33	39	45
O	25	22	34	36	55
P	17	25	24	25	40
Q	28	35	44	56	70
R	42	52	66	82	100
S	-	-	-	37	44
T	-	-	-	15	24
U	-	-	-	28	34
V	8	10	12	14	16
W	24.8	35.7	52.2	65.6	79.8
X	17.3	24.2	35.7	42	48.3
Y	10	12	14	16	20

	PQ3015	PQ3523	PQ4533	PQ5047	PQ6063
Z1	Ø5 H8	Ø6 H8	Ø8 H8	Ø10 H8	Ø12 H8
Z2	M3	M4	M5	M6	M6
Z3	1.2	2.5	2.5	2.5	2.5
Z4	7.2	9.5	11.5	13	12.5
Z5	Ø6	Ø9	Ø11	Ø15	Ø15
Z6	Ø3.5	Ø5.2	Ø6.6	Ø8.5	Ø8.5
Z7	10	10	9	13.2	17
Z8	Ø6 H8	Ø8 H8	Ø10 H8	Ø12 H8	Ø12 H8
Z9	M4	M5	M6	M8	M8
Z10	10.5	14	18	21	22.5
Z11	2.5	2.5	2.5	2.5	2.5
Z12	Ø6 H8	Ø8 H8	Ø10 H8	Ø12 H8	Ø12 H8
Z13	2.5	2.5	2.5	2.5	2.5
Z14	Ø6	Ø7.5	Ø9	Ø11	Ø11
Z15	Ø3.3	Ø4.2	Ø5	Ø6.8	Ø6.8
Z16	22	38	45	68	82
Z17	M5	M5	M5	G1/8	G1/8
Z18	-	-	Ø10	Ø16	Ø18
Z19	-	-	2.5	3	3
Z20	5	5	9.3	13	16.3
Z21	M3	M4	M5	M5	M5
Z22	-	-	-	M5	M5
Z23	M5	M5	M5	M5	M5

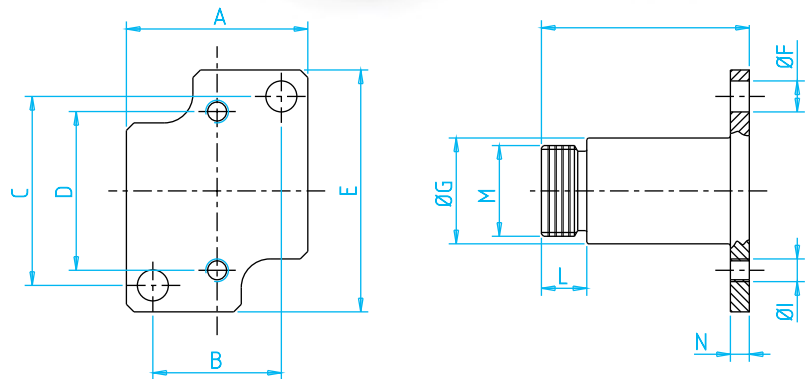
Two-Jaw Self-Centering Parallel Gripper – PQ

Mounting Brackets for PQ Grippers

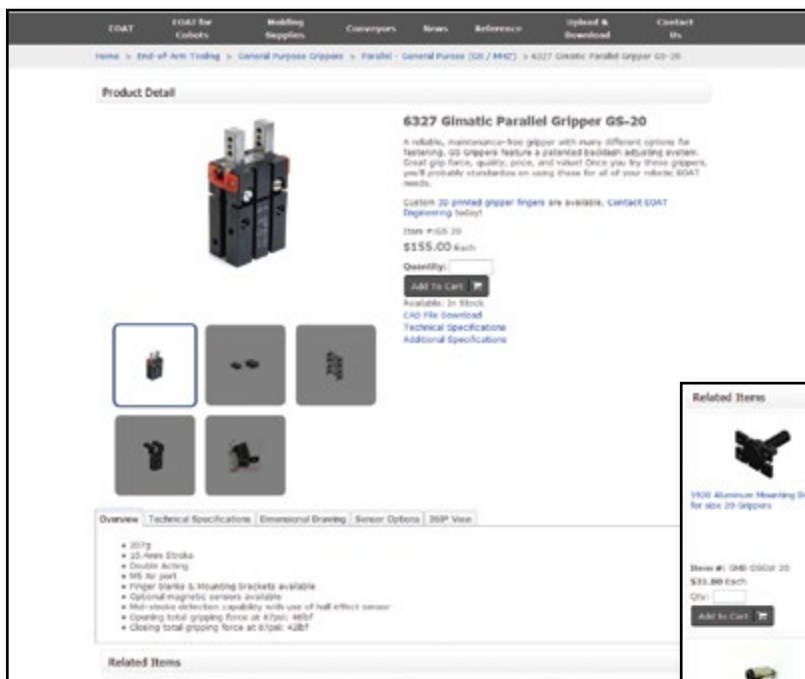
Quick#	Part#	Price	Use with:	Wt.
7328	MFI-A318	\$26.95	PQ1608	11g
7329	MFI-A319	\$29.32	PQ2012	18g
7330	MFI-A320	\$26.53	PQ2516	20g

Includes Fasteners.

Quick#	7328	7329	7330
For:	PQ1608	PQ2012	PQ2516
A	19.5	24	28
B	14	17	21
C	20	25	29
D	17	21	24
E	25.5	32	36
F	Ø3.1	Ø4.2	Ø4.2
G	Ø10	Ø14	Ø14
H	22	27.5	29
I	M2.5	M3	M3
L	5	6	6
M	M8x1	M12x1	M12x1
N	3	2.5	4



Online product pages have all the information you need!



- Application examples
- CAD file downloads
- Additional specifications
- Dimensional drawings
- Related items
- Replacement parts

Easy online ordering!

- Track Orders
- Create Supply Lists
- Order from History
- Export Purchase Orders

