

3D Printed EOAT Handle

(Dimensioned drawing shown full scale)

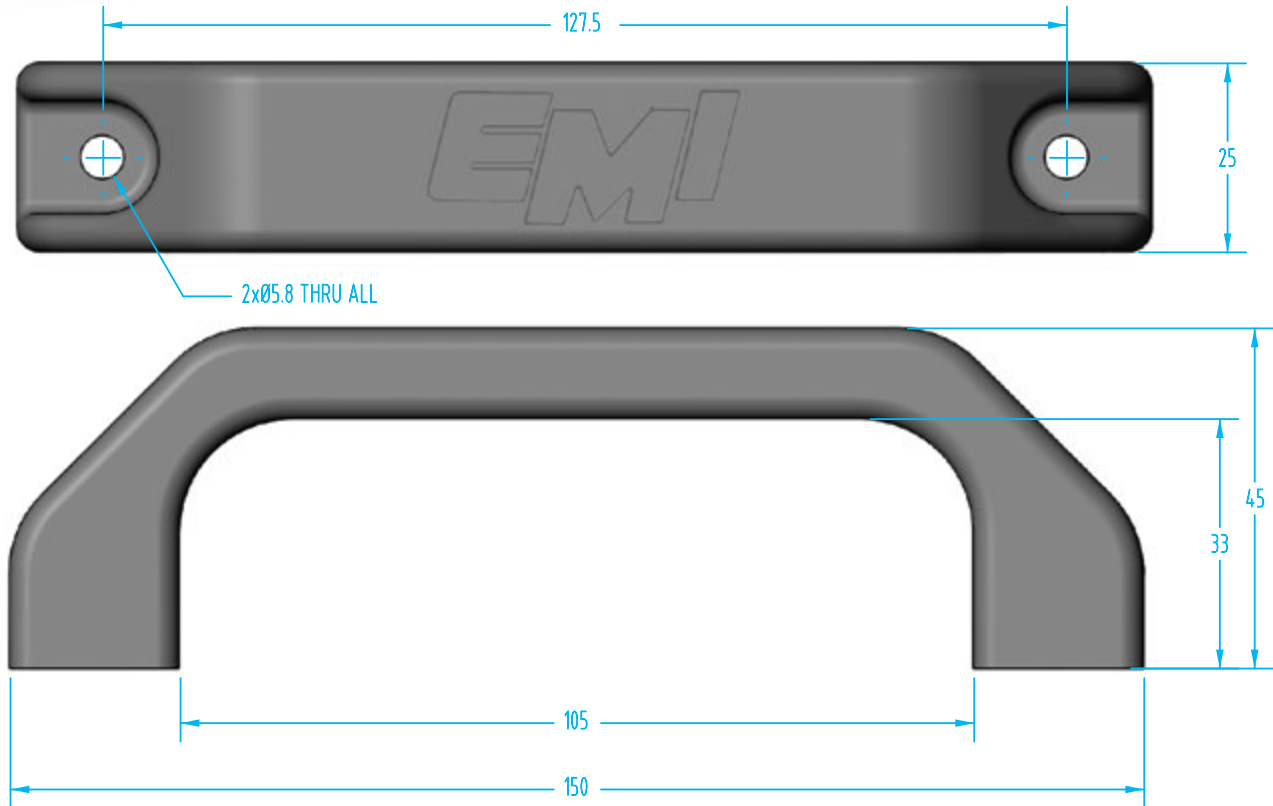


NEW

EOAT Handle

Quick#	Part#	Price	Wt.
700	EOAT-HANDLE	\$14.00	70g

Note: Includes hardware.



Application Example

