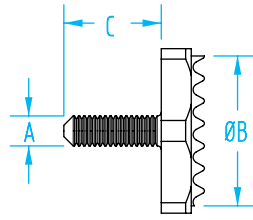
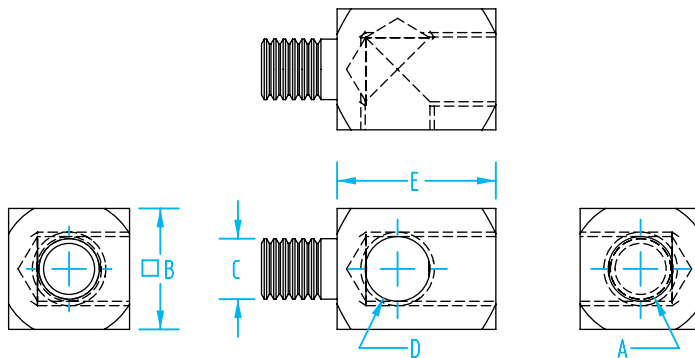


Compact Cylinder Components



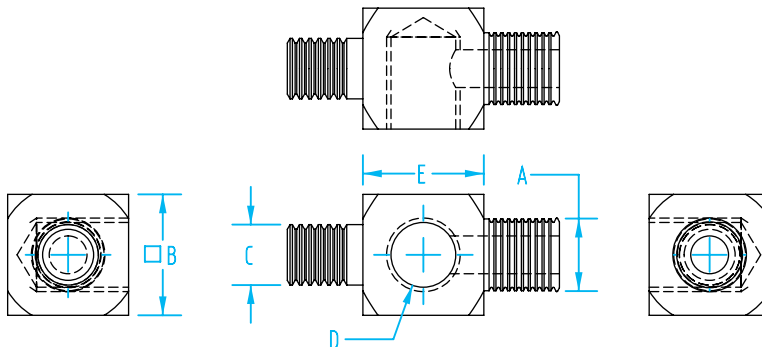
Pressure Plate

Quick#	Part#	>ASS< #	Price	Description	A	B	C	Wt.
3437	DPL12-3	1-790-03-00	\$5.00	NO RUBBER PAD	M3	12	9	2g
3438	DPL25-3	1-790-06-00	\$4.50	Includes rubber pad	M3	22	7	7g
3439	DPL25-4	1-790-09-00	\$4.50		M4	22	13	12g
3440	DPL25-5	1-790-12-00	\$7.00		M5	22	13	12g



Female Adaptor

Quick#	Part#	>ASS< #	Price	A	B	C	D	E	Wt.
3299	AVI5i-8-3	1-290-75-00	\$7.00	M5	8	M3	M5	12	4g
3689	AVI5i-8-5	1-290-73-00	\$7.00	M5	8	M5	M5	12	5g
3530	AVI1/8i-16-5	1-290-76-00	\$10.00	G1/8"	16	M5	G1/8"	21	32g
3300	AVI1/8i-16-8	1-290-77-00	\$10.00	G1/8"	16	M8	G1/8"	21	39g
3301	AVI1/4i-16-8	1-290-79-00	\$10.00	G1/4"	16	M8	G1/8"	26	35g



Male Adaptor

Quick#	Part#	>ASS< #	Price	A	B	C	D	E	Wt.
3302	AVA1/8a-16-6	1-290-81-00	\$10.00	G1/8"	16	M6	G1/8"	16	29g
3303	AVA1/8a-16-8	1-290-83-00	\$10.00	G1/8"	16	M8	G1/8"	16	29g
3304	AVA1/4a-16-6	1-290-85-00	\$10.00	G1/4"	16	M6	G1/8"	16	32g
3305	AVA1/4a-16-8	1-290-87-00	\$10.00	G1/4"	16	M8	G1/8"	16	32g