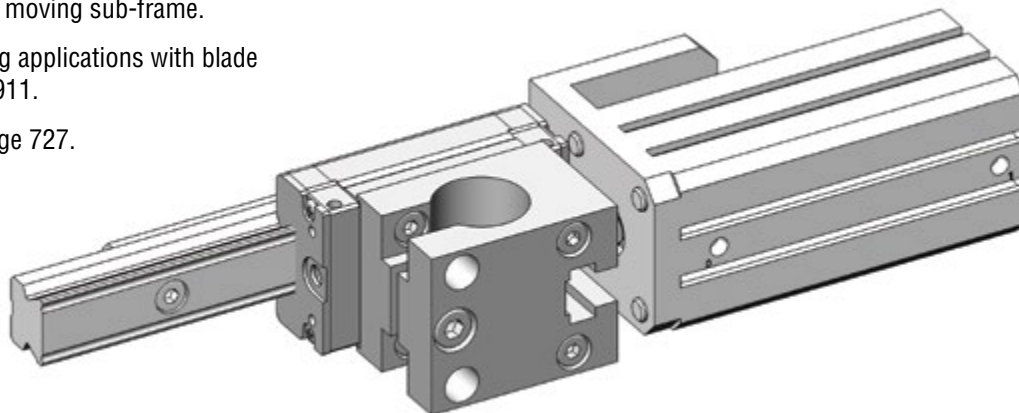


## Heavy-Duty Guided Cylinders – HUE

- Consists of a linear bearing that mounts in the channel of all >ASS< & Gimatic profile.
- A clamp assembly sits on the carriage. The pneumatic cylinder is included.
- Can be used as a precise nipper slide or with a mounting post (see page 171) is ideally suited for building an EOAT with a moving sub-frame.
- Can be used for degating applications with blade holders found on page 911.
- Sensors available on page 727.

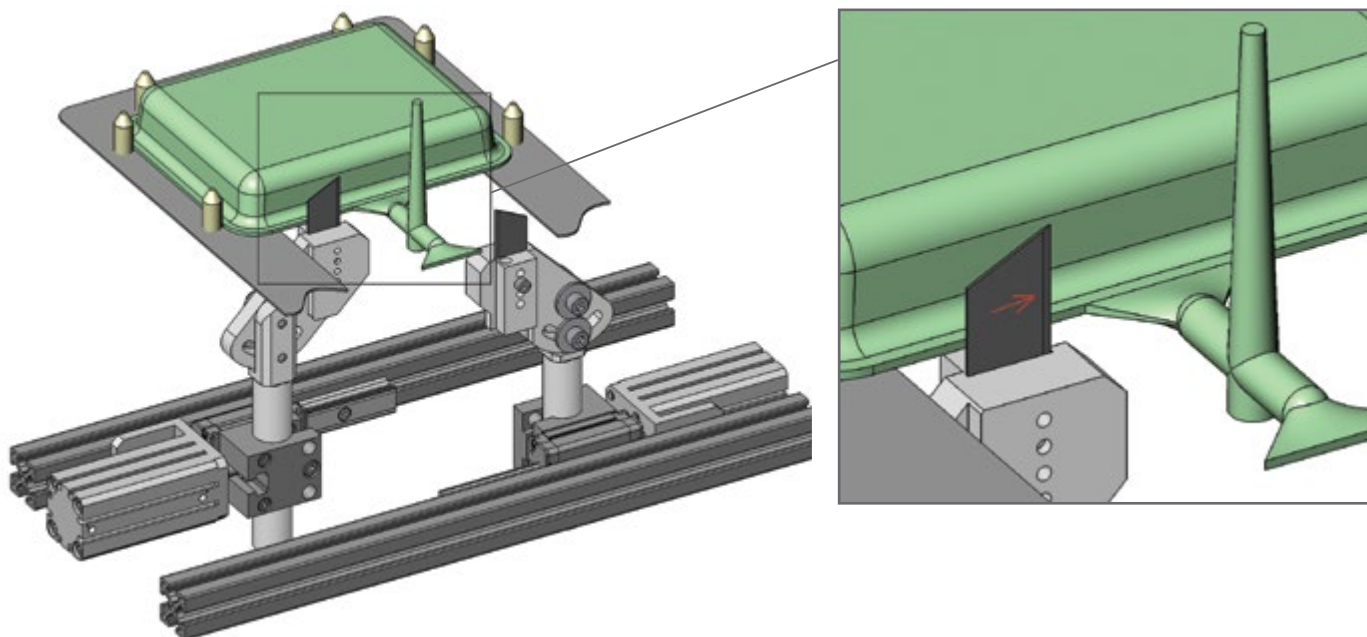


Heavy-Duty Guided Cylinders

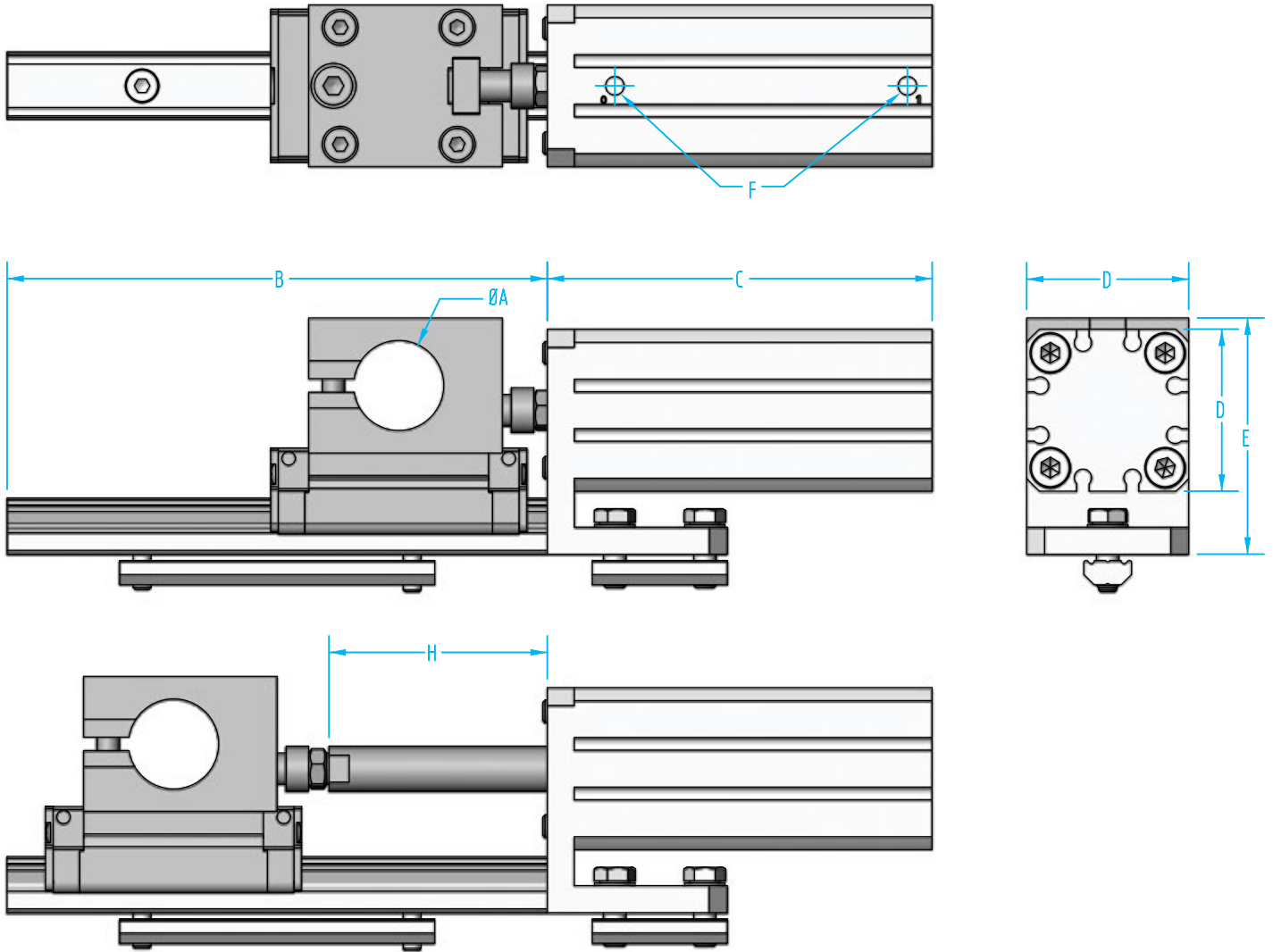
Quick#	Part#	>ASS<#	Price	Stroke	Ø Piston (mm)	Wt.
3156	HUE-20-30-20	1-745-10-00	\$279.50	30mm	20	656g
3157	HUE-20-50-20	1-745-11-00	\$279.50	50mm		740g
3158	HUE-20-75-20	1-745-12-00	\$299.00	75mm		869g
3159	HUE-20-100-20	1-745-13-00	\$318.50	100mm		967g
3161	HUE-20-125-20	1-745-14-00	\$335.50	125mm		1089g

Use Quick#s for easy online ordering.

### Application Example



**Heavy-Duty Guided Cylinders – HUE**



Quick#	Part#	A	B	C	D	E	F	H
3156	HUE-20-30-20	20	100	65.5	36	52.5	M5	30mm
3157	HUE-20-50-20	20	120	85.5	36	52.5	M5	50mm
3158	HUE-20-75-20	20	145	122	36	52.5	M5	75mm
3159	HUE-20-100-20	20	170	147	36	52.5	M5	100mm
3161	HUE-20-125-20	20	195	172	36	52.5	M5	125mm

**Optional magnetic field sensors**

Quick#	Part#	Price	Operation
5497	D-M9P-SAPC	\$42.06	PNP, 3-wire 0.5m with M8 Connector
5498	D-M9N-SAPC	\$42.06	NPN, 3-wire 0.5m with M8 Connector
5430	D-M9PL	\$33.70	PNP, 3-wire with 3m leads
2412	D-M9NL	\$33.70	NPN, 3-wire with 3m leads