

Clampable Mini Cylinders – OFC

(Dimensioned drawings shown full scale)

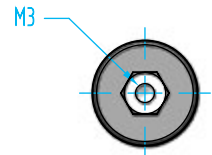
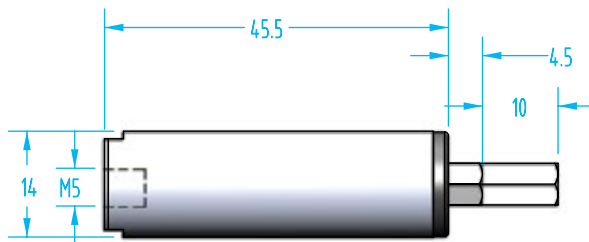
- Lightweight and compact clampable aluminum body in Ø14mm, Ø20mm, and Ø30mm diameters.
- Non-rotating M3 and M4 female threaded rod allows use of common mini-cylinder grip pads (see pages 735–736).
- Single-acting with spring retract.
- New M3, M4, & M5 fittings.
- New mounting bracket for PB grippers.



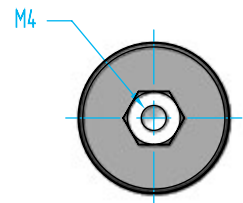
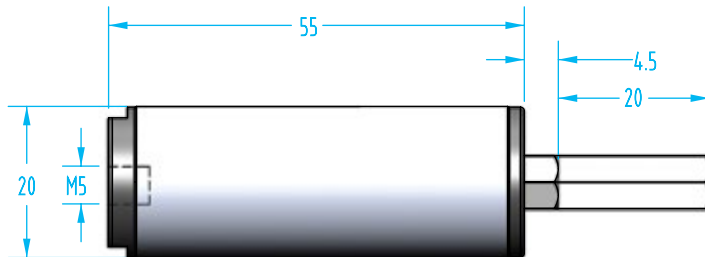
Clampable Mini Cylinder

Quick#	Part#	Price	Force at 87psi	Piston Bore	Clampable Body	Stroke	Wt.
7134	OFC14-10	\$19.83	10 lbf	Ø10mm	Ø14mm	10mm	20g
7133	OFC20-20	\$28.71	25 lbf	Ø16mm	Ø20mm	20mm	40g
7132	OFC30-30	\$34.91	63 lbf	Ø25mm	Ø30mm	30mm	85g

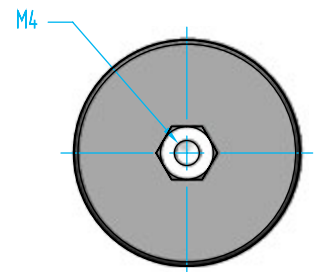
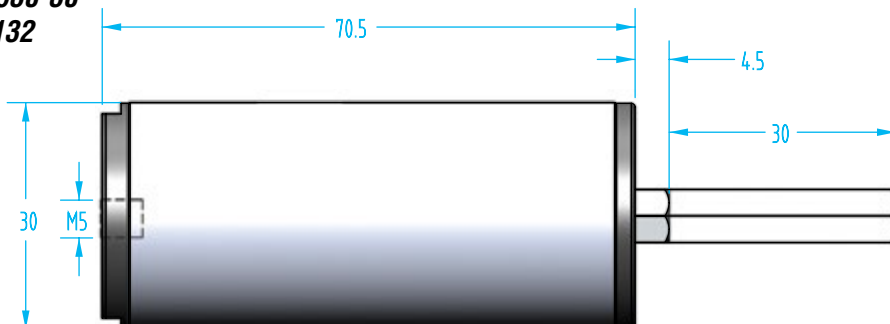
OFC14-10
#7134



OFC20-20
#7133



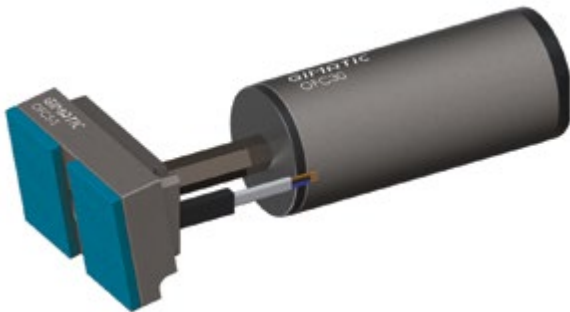
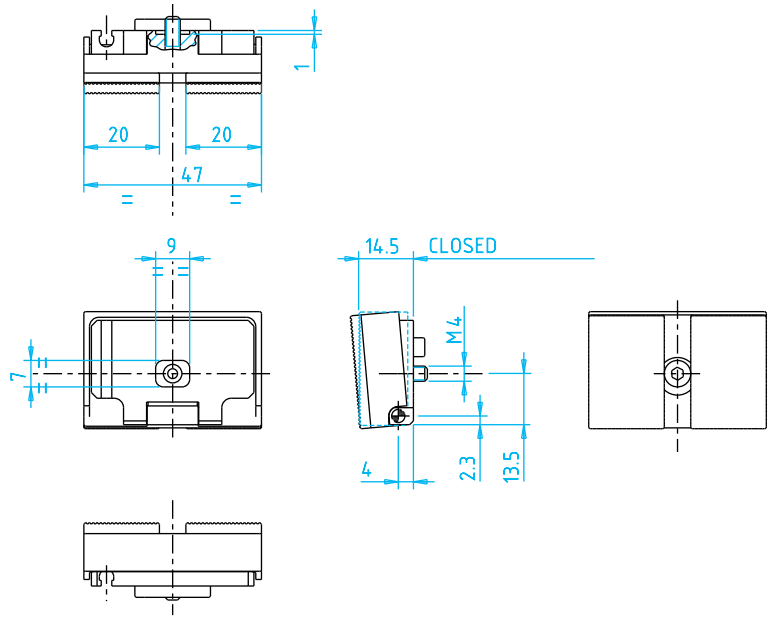
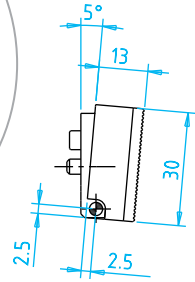
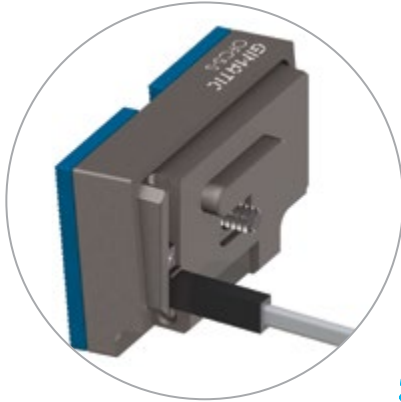
OFC30-30
#7132



Clampable Mini Cylinders – OFC

(Dimensioned drawings shown 1/2 scale)

Sensor Switch



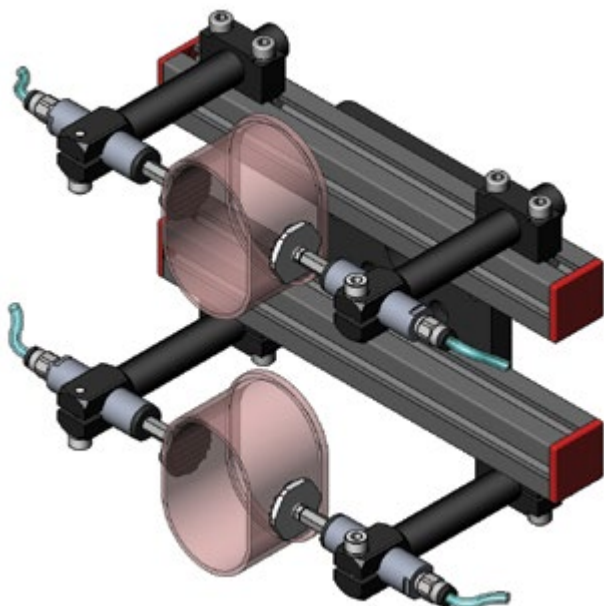
Sensor Switch

Quick#	Part#	Description	Price
7195	OFC5-S	Switch pad for SN sensor	\$56.00

Sensors for OFC Cylinders

Quick#	Part#	Signal	Connection	Price
6278	SN4N225G	PNP	2.5m Lead	\$26.14
6357	SN4M225G	NPN	2.5m Lead	\$26.14
6277	SN3N203G	PNP	0.3m lead & M8 Connector	\$29.96
6356	SN3M203G	NPN	0.3m lead & M8 Connector	\$29.96

Application Example



Optional Sensor Mounting Band

Quick#	Part#	Diameter	Price
7307	SWP-014	Ø14	\$2.13
7308	SWP-020	Ø20	\$2.13
7309	SWP-030	Ø30	\$2.13



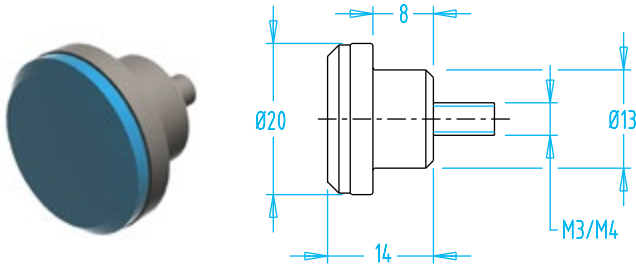
Mounting Adaptor

Quick#	Part#	Price	Top Port	Side Port	Wt.
7390	MFI-A365	\$5.90	M3	M5	1.6g
7389	MFI-A364	\$5.90	M4	M5	1.8g
7387	MFI-A361	\$5.90	M5	M5	2.2g
7388	MFI-A362	\$11.34	G1/8"	G1/8"	11.6g

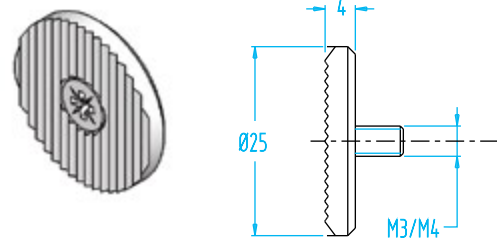
Full dimensional drawing on page 1061.

Clampable Mini Cylinder Accessories

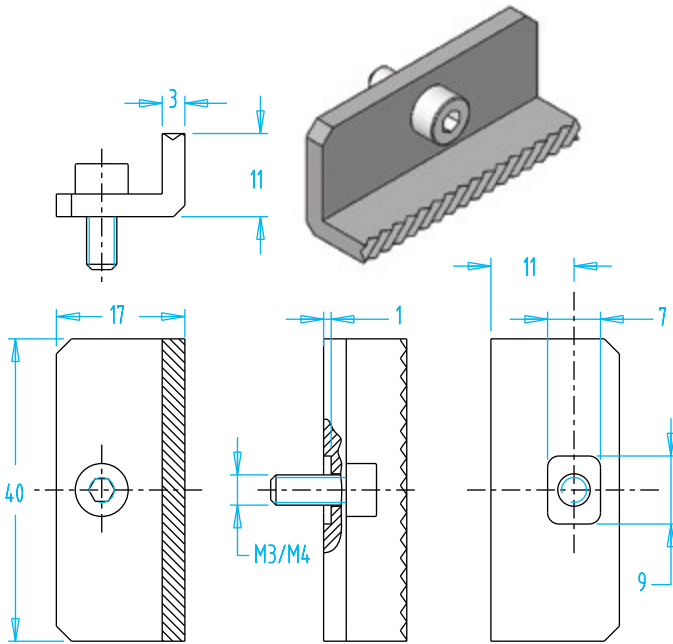
(Dimensioned drawings shown full scale)



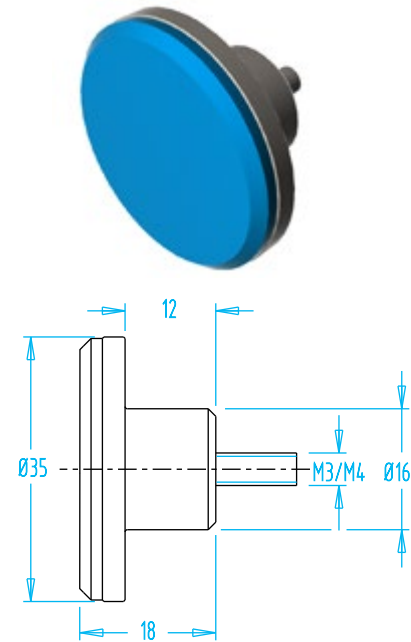
Quick#	Part#	Price	Face	Use with:	Wt.
7211	OFC-A001	\$7.65	HNBR	OFC- 14, 20, 30	15g



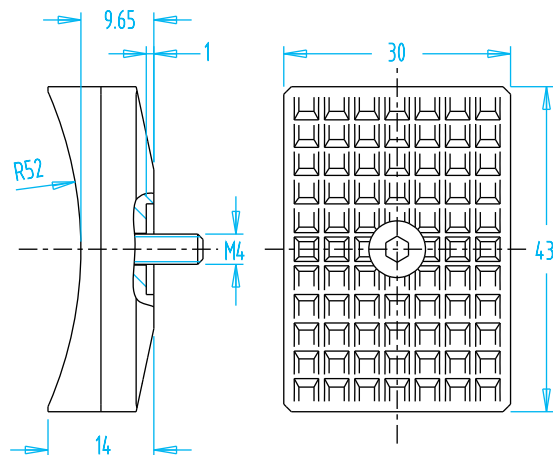
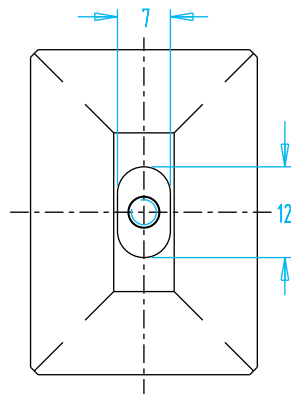
Quick#	Part#	Price	Face	Use with:	Wt.
7213	OFC-A003	\$7.50	Steel	OFC- 14, 20, 30	15g



Quick#	Part#	Price	Face	Use with:	Wt.
7212	OFC-A002	\$17.25	Steel	OFC- 14, 20, 30	23g



Quick#	Part#	Price	Face	Use with:	Wt.
7215	OFC-A005	\$8.90	HNBR	OFC- 14, 20, 30	35g



Quick#	Part#	Price	Face	Use with:	Wt.
7214	OFC-A004	\$17.25	TPU	OFC- 20, 30	24g

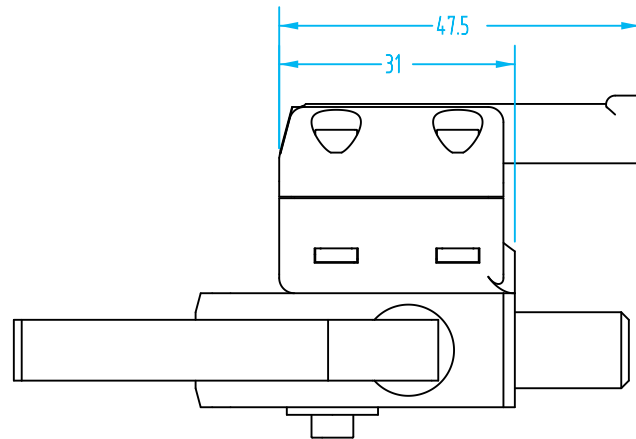
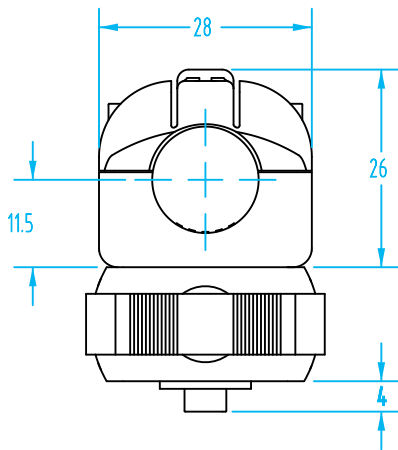
Clampable Mini Cylinder Accessories

- Allows a OFC-14-10 Cylinder to be mounted to a Gimatic PB gripper.
- Can be equipped with optional accessories intended to eject a runner stuck to the jaw of the gripper.
- The position of an OFC-14 cylinder can be detected using SS... sensors.
- Not compatible with accessories #7214 & #7215.



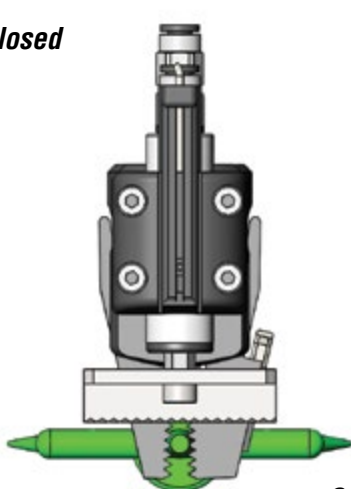
NEW

Quick#	Part#	Price	Use with:	Wt.
7446	OFC-A006	\$34.79	OFC-14	19g

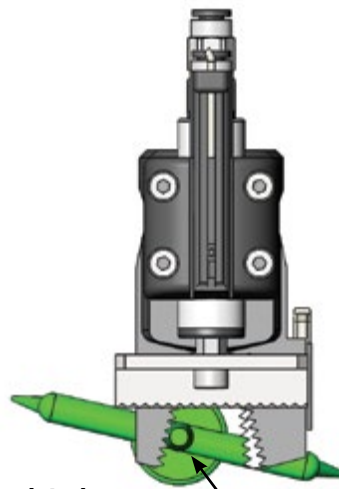


Application Example

Closed



Sprue stuck to jaw



Cylinder actuates and pushes sprue

