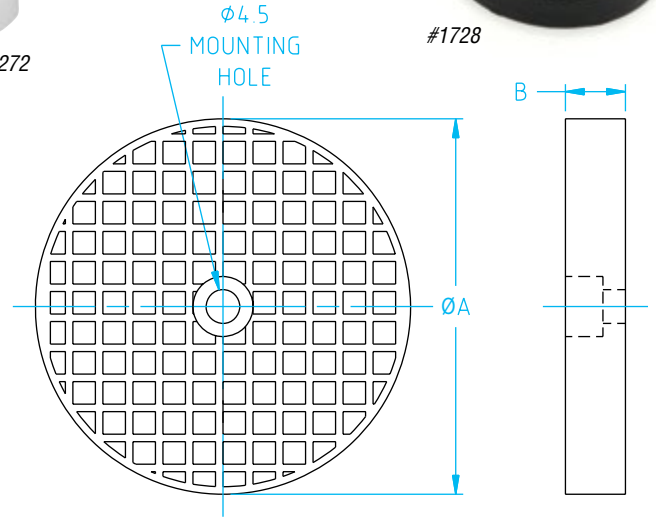
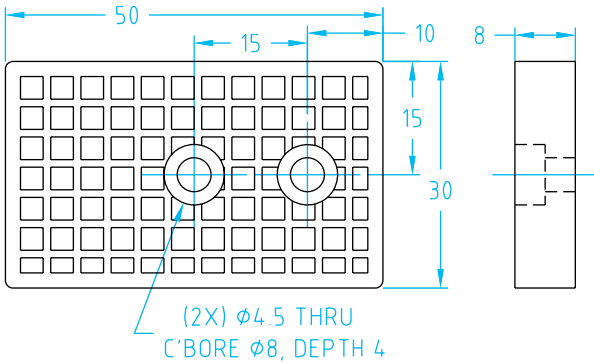
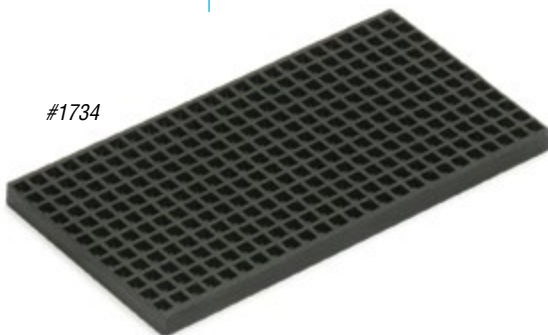
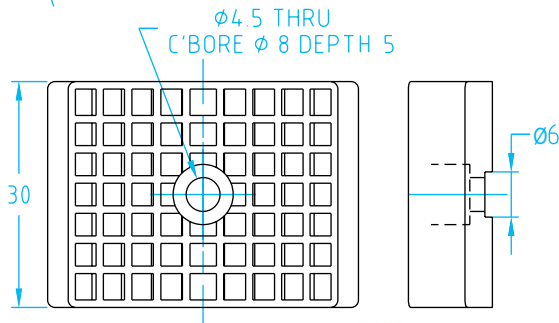
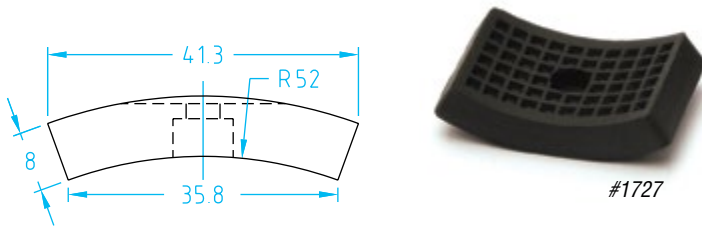


Mini-Cylinder Grip Pads

(Dimensioned drawings shown full scale)



- Silicone Temperature range to 356°F
- Rubber Temperature range to 158°F



Grip Pads for Mini-Cylinders

Quick#	Part#	Style	Material	A	B	Weight	Price
1725	GSG-CP-060	Rectangle	Rubber	-	-	42g	\$7.12
1726	GSG-CP-061	Rectangle	Silicone	-	-	42g	\$8.76
1727	GSG-CP-018	Curved	Rubber	-	-	46g	\$6.85
5090	GSG-CP-072	Curved	Silicone	-	-	46g	\$10.31
1728	GSG-CP-016	Round - Lg.	Rubber	50	8	54g	\$7.00
1732	GSG-CP-071	Round - Lg.	Silicone	50	8	54g	\$9.21
1729	GSG-CP-015	Round - Sm.	Rubber	25	8	14g	\$2.62
5272	GSG-CP-074	Round - Sm.	Silicone	25	8	14g	\$6.16

M4 fasteners available on page 1071.

Grip Pad

Quick#	Part#	Size	Material	Price
1734	GSG-CP-R	50x100x5	Rubber	\$2.76
5274	GSG-CP-SI	50x100x5	Silicone	\$11.61