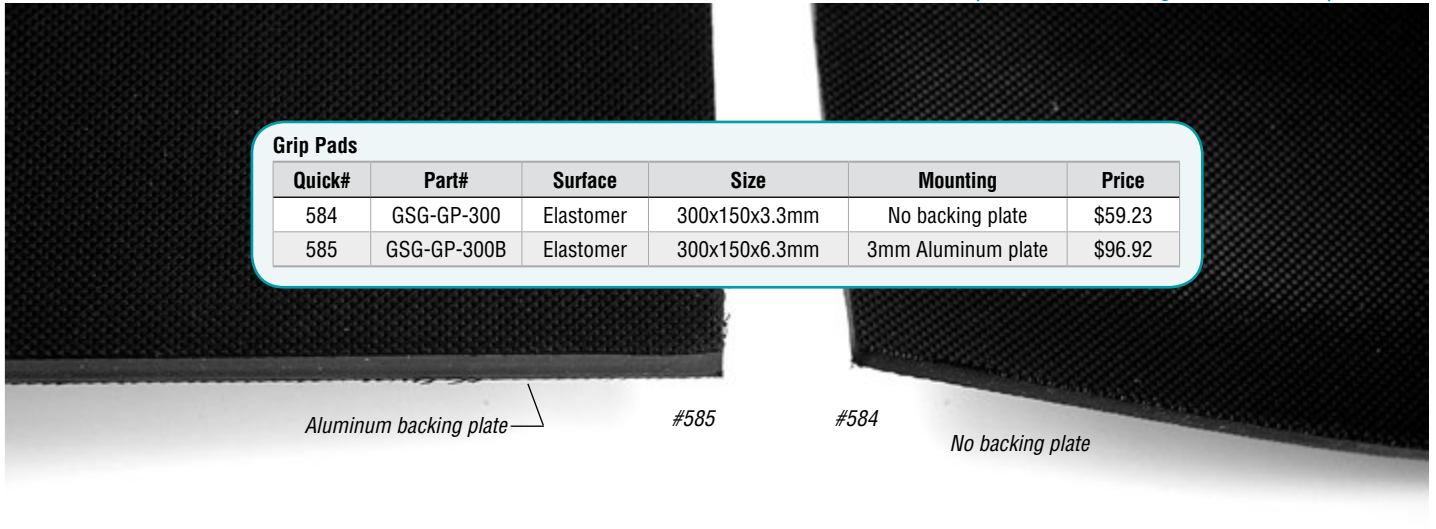


Mini-Cylinder Mounting Accessories

(Dimensioned drawings shown full scale)



Grip Pads

Quick#	Part#	Surface	Size	Mounting	Price
584	GSG-GP-300	Elastomer	300x150x3.3mm	No backing plate	\$59.23
585	GSG-GP-300B	Elastomer	300x150x6.3mm	3mm Aluminum plate	\$96.92

Aluminum backing plate

#585

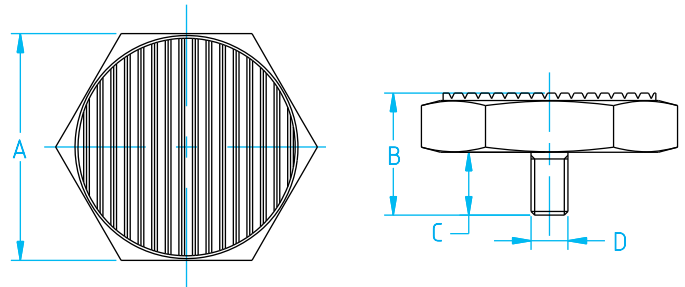
#584

No backing plate

- Material is EPDM
- Temperature range to 100°F
- 70° shore "A" rating



#742



#3439

- DPL Padding is Neoprene
- Temperature range to 250°F
- 65-75° shore "A" rating

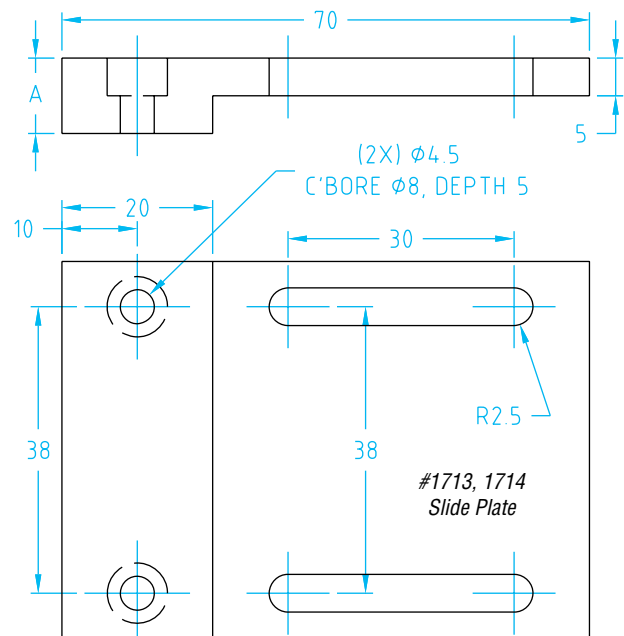
Pressure Pad

Quick#	Part#	Surface	A	B	C	D (Thread)	Price
742	GSC-CCPP-1	Elastomer	30	16	8	M5 male	\$16.10
3439	DPL25-4	Neoprene	22	18.5	13.3	M4 male	\$5.00

More grip pads available on page 735.



#1713



Mini-Cylinder Mounting Components

Quick#	Part#	Description	A	Weight	Price
1713	GSG-CP-030-10H	Slide Plate	10	53g	\$16.84
1714	GSG-CP-030-15H	Slide Plate	15	64g	\$21.22