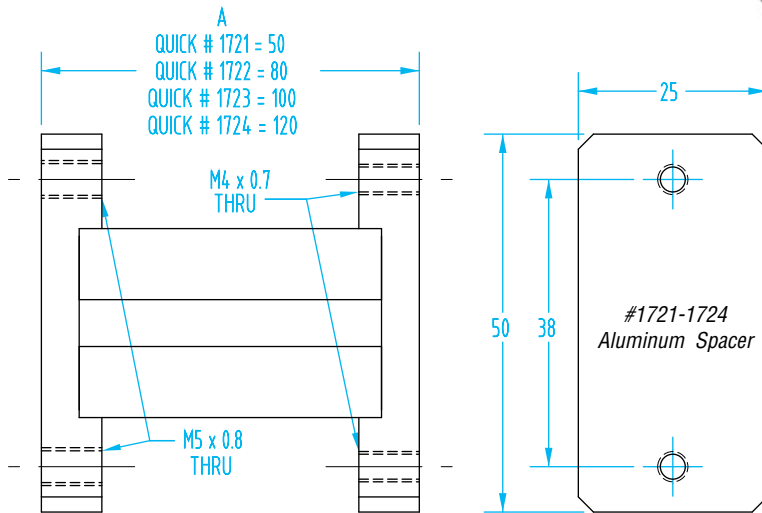
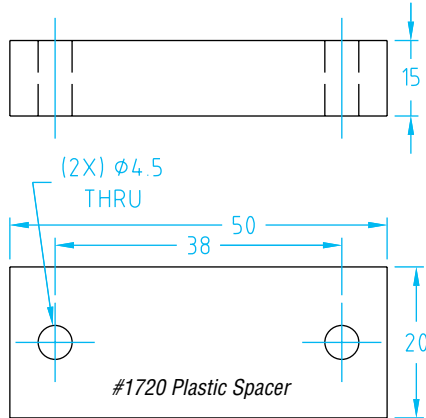


Mini-Cylinder Mounting Accessories

(Dimensioned drawings shown full scale)

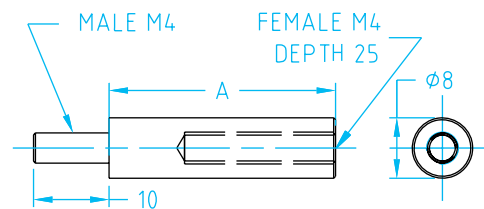
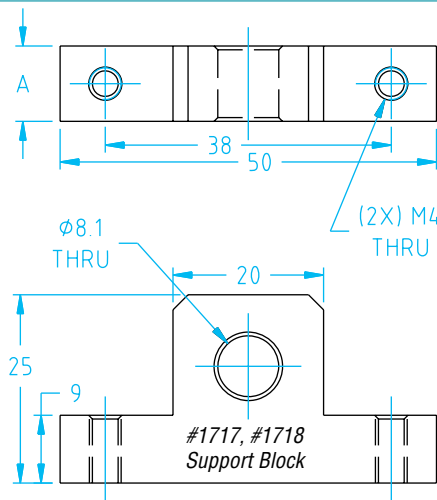
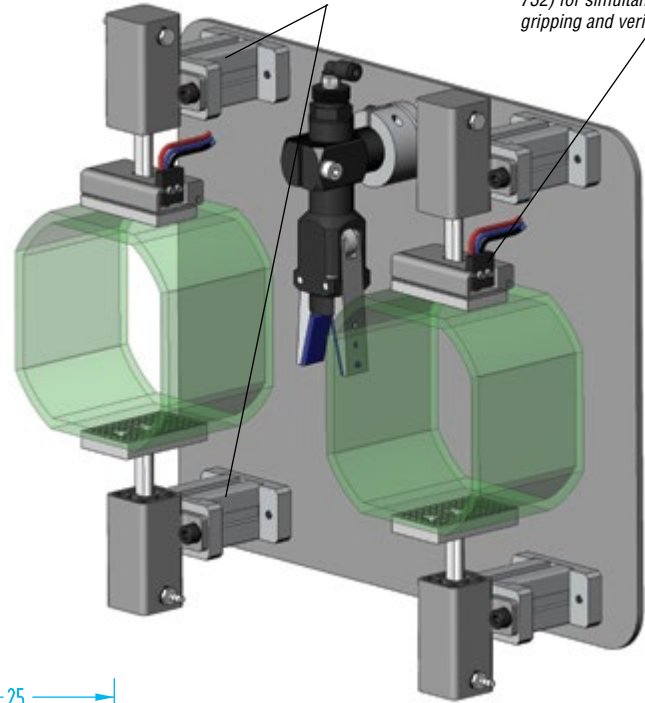
Mini-Cylinder Elevation Spacers

Quick#	Part#	Type	A	Weight	Price
1720	GSG-CP-012	Plastic	-	21g	\$1.16
1721	GSG-CP-001	Aluminum	50	78g	\$18.62
1722	GSG-CP-002	Aluminum	80	125g	\$19.02
1723	GSG-CP-003	Aluminum	100	158g	\$19.30
1724	GSG-CP-004	Aluminum	120	191g	\$19.58



Elevation spacers are typically used when mounting mini-cylinders on flat aluminum plates. They elevate the cylinder when it is necessary to grip larger parts.

This application also shows product confirmation switch (#1731, page 734) mounted on mini-cylinder (#1705, page 732) for simultaneous part gripping and verification.



#1715, #1716 Extension Shaft

Mini-Cylinder Mounting Components

Quick#	Part#	Description	A	Weight	Price
1715	GSG-CP-033	Extension Shaft	30	11g	\$3.50
1716	GSG-CP-034	Extension Shaft	45	16g	\$3.50
1717	GSG-CP-007	Support Block	10	19g	\$26.53
1718	GSG-CP-008	Support Block	20	39g	\$29.48